



Elster Jeavons J123HP

Distribution / Commercial / Industrial Regulator

Brief information

Operation: The J123HP is a spring loaded distribution and industrial regulator. It can be used as a monitor or active regulator. Designed for use in installations complying with the requirements of BGC/PS/E26 (formerly DIR6) and IGE/TD/10.

Application: All units are suitable for use with natural, liquefied petroleum and manufactured gases and can be installed in horizontal or vertical pipelines. The regulator must be externally impulsed from a point at least 15 pipe diameters downstream.

The lower pressure J123 is also available with outlet pressures up to 350 mbar (see separate catalogue).

Control: A comprehensive range of springs is available, as described overleaf.

Approvals: The J123HP has been approved to modules B + D of the 2014/68/EU by BSI (Notified body No. 0086). It is classified as Category IV equipment and a pressure accessory.

Technical Data:

Maximum inlet pressure: 4 bar (60 psig)

Maximum outlet Pressure: 1.035 bar (15 psig)

Servicing: By removing only four nuts the J123HP module can be withdrawn from the body without disturbing the pipework. This allows routine servicing and maintenance to be undertaken under workshop conditions. A standard soft spares kit is available for all sizes.

50mm reference number SK12309-03

80mm reference number SK12311-03

Capacity: The flow rate can be calculated using:

$$Q = K P_o (P_i - P_o) \quad \text{when } P_i / P_o < 1.894$$

$$Q = K P_i / 2 \quad \text{when } P_i / P_o > 1.894$$

Where

$$Q = \text{Flow Rate m}^3 / \text{hr (SG = 0.6)}$$

$$P_i = \text{Inlet Pressure Absolute (Bar)}$$

$$P_o = \text{Outlet Pressure Absolute (Bar)}$$

$$K = \text{Flow Constant (see overleaf)}$$

Assuming absolute atmospheric pressure = 1.014 Bar

To convert to ft³ / hr multiply by 35.315

To convert to specific gravities other than 0.6 multiply by:

$$\sqrt{\frac{0.6}{\text{specific gravity of gas}}}$$



FEATURES & BENEFITS

Main Features

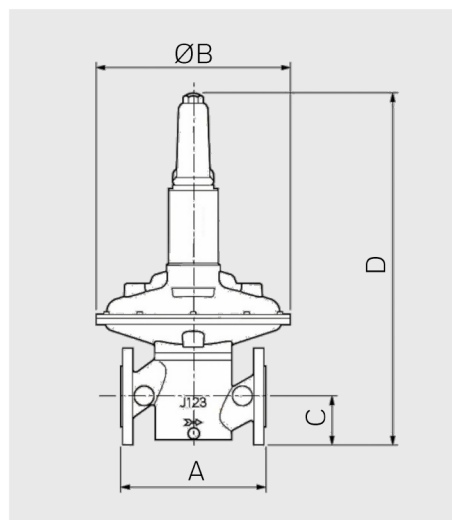
- Sizes 50mm & 80mm
- Temperature range 20°C to +60°C
- Flanged to BS EN 1092-2 NP16 or ANSI unless otherwise requested.
- Fully inlet pressure balanced
- Full lock-up capability
- External impulse
- Spring loaded
- Valve Travel Indicator
- Breather Hole Dust Cap
- Excellent outlet pressure control
- Can be installed in horizontal or vertical pipework.
- Very high flow capacity
- Can be used for monitor applications



Material Specifications

A summary of the material specification for the J123HP is given for reference. All material has been selected to provide maximum durability and reliability in service.

Components	Specification
Body and Valve Seat Holder	Nodular Iron
Diaphragm Case and Top Cover	Aluminium Alloy
Main & Rolling Secondary Diaphragm	Reinforced Nitrile Synthetic Rubber
Valve Spindle, Valve Seat, Annular Valve Spindle Guide	Stainless Steel
Main Diaphragm Clamping Plates, Valve Disc Clamping Washer and Holder	Mild Steel, Zinc Plated and Coated
Secondary Diaphragm Clamping Plates and Top Spring Holder.	Aluminium Alloy
Valve Disc and "O" rings	Nitrile Synthetic Rubber
Loading Springs	Carbon Steel, Zinc Plated and Coated



Dimensions and Weights

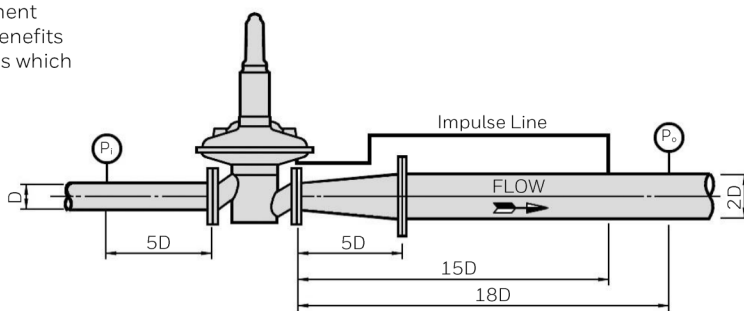
SIZE	A	B	C	D	Weight (Kg)	'K' Factor
50	250	426	83	489	25	1830
80	320	426	105	545	36	4880

Loading Springs

Spring Range	Part Number	Colour Code
104 – 1035 mbar (2 – 15 PSIG)	J12309-051	Light Green / Light Blue

Quality:

Honeywell is committed to a programme of continuous quality enhancement. All equipment designed and manufactured by Honeywell benefits from the group's quality assurance standards which are approved to EN ISO9001.



Ordering Information

Part Number	Description
J0142HP	J123 DN50 TO 1035MB OUT HIPRES
J0143HP	J123 80MM NP16 HP 140-1035MB