

► **Our technology. Your success.**
Pumps • Valves • Service



CONTROLS SUPPLY CHAIN
VALVES ACTUATORS INSTRUMENTATIONS

MIL 35500 - V Notch Segmented Ball Control Valve

Standard sizes & rating

1" to 12" : ASME 150# to ASME 300#

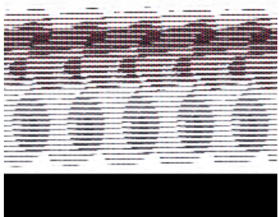
Seat leakage class (as per FCI 70.2)

Standard : Class IV for Metal seat &
Class VI for Soft seat valves

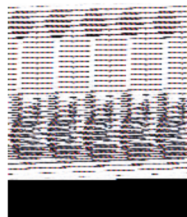
Applications

- **Paper & Pulp Industry**
 - Fibrous media
- **Petroleum Refineries**
 - Crude oil, Naphtha, Bitumen, HCO;
Media containing Solids
- **Chemical & Fertilizer Industries**
 - Molten plastics, Media containing Solids
- **Mining Industries**
 - Ore extraction (abrasive and corrosive slurries)
- **Sewage treatment plants**
 - Clean/dirty corrosive liquids & gases.
Erosive and abrasive slurries

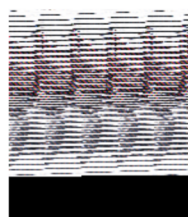
More information: www.ksb-mil.com



With Scotch Yoke Spring
Return Actuator



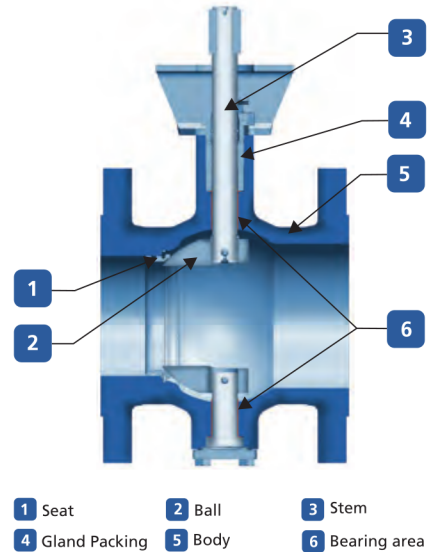
With Diaphragm
Actuator



With Pneumatic cylinder
actuator (link type)

MIL 35500 - V Notch Segmented Ball Control Valve

- 1 "Single-Piece" Body design for minimal potential leak path.
- 2 Spring loaded seat ensures proper sealing at low differential pressure.
- 3 No-Threaded trim parts used. This makes assembly and disassembly of trims at site easy.
- 4 Self-aligning segmented Ball is facilitated by special shaft and pin design.
- 5 Excellent shearing action in Fibrous fluid mediums.
- 6 Gland packing with Anti-Extrusion Ring prevent the potential leakage of medium to atmosphere.
- 7 Blow-out proof stem for higher integrity and safety of the equipment.



Model Decodification

1 st -	2 nd -	3 rd 3	4 th 5	5 th 5	6 th -	7 th -
Actuator Type		Body Series		Design Variant	Body Type	Seat Type
20. Hand operated 37. Spring diaphragm for fail close and open 67. Direct piston cylinder 68. Reverse piston cylinder 75. Rack and Pinion Double Acting 76. Rack and Pinion Spring Return 85. Scotch Yoke Double Acting 86. Scotch Yoke Spring Return 90. Electrical actuator 95. Link actuator, double acting 96. Link actuator, spring return		35. Ball Valve		5. V Notch Segmental Ball Control Valve	0. Undefined 1. Single Piece, Side Entry	0. Undefined 1. Soft seated 2. Metal

General Data

Material Standard***

Body	ASTM A216 WCB / ASTM A351 CF8M
Segmented Ball	CF8M / CF8M + Chrome Plating
Seat	316SS + PTFE / 316SS + Stellite
Stem	17-4Ph/ XM-19
Bearing	316 SS FABRIC + PTFE
Packing	PTFE / Graphite

***Other special materials on request

Actuator Options

Diaphragm Actuators
Single / Double acting Rack & Pinion Actuators
Electrical Actuators
Hydraulic Actuators
Single / Double Acting Scotch Yoke Actuators
Single / Double Acting Link Actuators

Note

Additional accessories or Instruments like Solenoid Valve, Limit Switches, Air Filter Regulator & Positioner (Pneumatic / Electro-Pneumatic / Smart) can be supplied along with valve depending upon the requirement.

Technical Data

Size*	1" to 12" (DN 25 to 300)*
Pressure class*	ASME 150# to 300#
Temperature*	-29°C to 200°C *
End Connection	Wafer, Flanged
Leakage class* as per FCI 70.2	Class IV (Metal seal), Class VI (PTFE seal)
Flow Direction	FTO - Normal flow is into the convex side of the valve
Flow Characteristics	Modified Equal % (Inherent)
Angle of Rotation	90 Degrees
Inherent Rangeability	300:1
Segmented Ball Orientation	Clockwise - Close Anti clockwise - Open
Design Standard	<ul style="list-style-type: none"> ▪ ISA 75.08.02 / ASME B16.10 ▪ ASME B16.34 ▪ ASME B16.5 ▪ ANSI FCI 70.2 Leakage class ▪ NACE MR0103/ NACE MR0175

*Consult factory for higher sizes, higher rating, non-standard material, Class V metal seat and /or High temperature service requirement.



CONTROLS SUPPLY CHAIN
VALVES ACTUATORS INSTRUMENTATIONS