



MIL 67-68 - Double Acting Piston Cylinder Actuators

Sizes: 6, 8, 12, 16, 20 & 24

Travel: ≤ 12 "

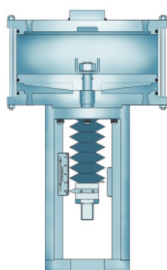
Supply Pressure: 60 to 100 psig



Application

- Used in control valves for critical applications especially in fertilizer industries and refineries where operation demands high thrust requirements or fast operation like Anti-surge application.
- To meet higher stroke and thrust requirements. Piston actuators are designed to operate with operating medium as plant air, natural gas or any other non-corrosive gaseous fluids as per plant availability.
- Used with control valves for boiler feed water control, boiler feed pump recirculation, PRDS spray control etc. in high capacity power plants.

More information: www.ksb-mil.com



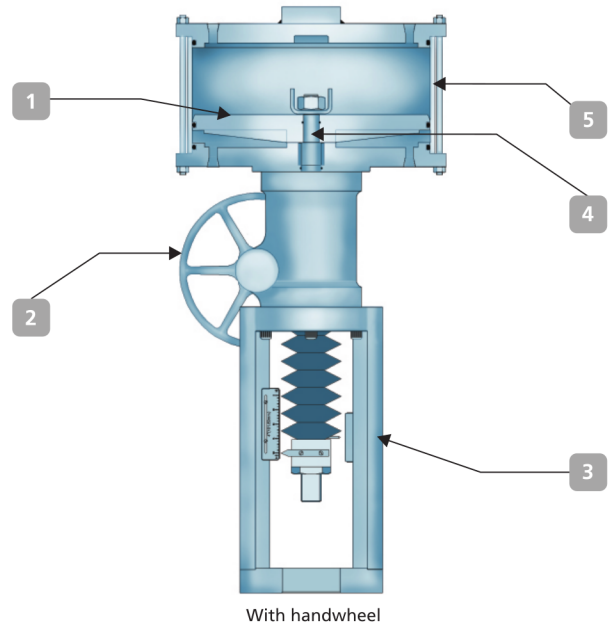
Without Handwheel

MIL 67-68 - Double Acting Piston Cylinder Actuators



CONTROLS SUPPLY CHAIN
VALVES ACTUATORS INSTRUMENTATIONS

- 1 Wide Range of Strokes and Sizes
- 2 High Thrust Capability
- 3 High Frequency Response
- 4 Field Reversible
- 5 Stable Operation
- 6 Faster Travel
- 7 Compact and Lightweight
- 8 Durable Components
- 9 Simple Maintenance
- 10 Tight Shut-off
- 11 High-level Positional Stiffness



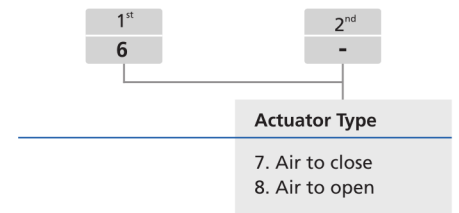
With handwheel

- 1 Piston 2 Handwheel 3 Yoke 4 Actuator Stem 5 Cylinder

Standard Sizes / Supply

Actuator Size	Stroke (inch)	Max. Air Supply - 60 psig (VT Supply)		Max. Air Supply - 80 psig (VT Supply)		Max. Air Supply - 100 psi (VT Supply)	
		Actuator Thrust* (lbf)	Volume Tank Size (ltr)	Actuator Thrust* (lbf)	Volume Tank Size (ltr)	Actuator Thrust* (lbf)	Volume Tank Size (ltr)
12*	1.5", 2"	6215	50	7345	20	7345	10
	3", 4"	5650	50	7345	35	7345	20
16*	3", 3.5"	8370	35	12090	50	12090	20
	4", 5"	8370	50	11160	50	12090	35
	6"	7440	50	10230	50	12090	50
	8"	7440	50	9300	50	12090	50
20**	3.5", 4"	11440	50	15730	50	21450	75
	5"	11440	50	14300	50	21450	75
	6"	10010	50	14300	50	20020	75
	8"	8580	50	12870	50	18590	75
24**	3.5"	16400	50	20500	50	30750	75
	4"	14350	50	20500	50	28700	75
	5"	14350	50	18450	50	26650	75
	6"	12300	50	16400	50	24600	75
	8"	10250	50	14350	50	22550	75

Model Decodification



* Supply pressure considered for actuator thrusts to limit Volume tank size below 50 Litres

** Supply pressure considered for actuator thrusts to limit Volume tank size below 75 Litres