

Series 14-B Ball Type Blow Down Valve

Applications:

For Series 47, 67, and 70 boiler control blow down valve replacement.



WARNING



- Before using this product read and understand instructions.
- Save these instructions for future reference.
- All work must be performed by qualified personnel trained in the proper application, installation, and maintenance of plumbing, steam, and electrical equipment and/or systems in accordance with all applicable codes and ordinances.



- To prevent serious burns, wear heat resistant gloves when opening and closing valves, or handling hot equipment.
- To prevent serious burns, allow the control and surrounding equipment to cool to 80°F (27°C) and allow pressure to release to 0 psi (0 bar) before servicing.
- When flushing control (blow down), hot water and steam will flow out. To prevent serious personal injury, connect a drain pipe to the control opening to avoid exposure to steam discharge.



- To prevent flooding, do not puncture float.
- This product can expose you to chemicals including Lead, which is known to the State of California to cause cancer and birth defects or other reproductive harm. For more information go to: www.P65Warnings.ca.gov.
- Previous controls should never be installed on a new system. Always install new controls on a new boiler or system.

Failure to follow this warning could cause property damage, personal injury or death.

CAUTION:

- A more frequent replacement interval may be necessary based on the condition of the unit at time of inspection. McDonnell & Miller's warranty is one (1) year from date of installation or two (2) years from the date of manufacture.

INSTALLATION –

TOOLS NEEDED:

One (1) flathead screwdriver, one (1) scraper, one (1) pipe wrench, one (1) hammer, and pipe sealing compound.

STEP 1 - Preparation

CAUTION



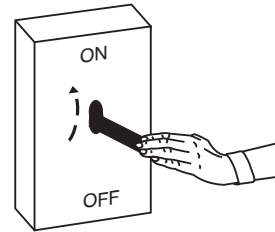
To prevent serious burns, wear heat resistant gloves when opening and closing valves, or handling hot equipment.



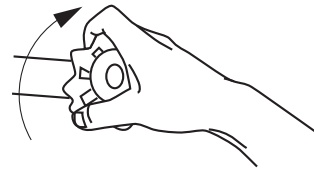
To prevent serious burns, allow the control and surrounding equipment to cool to 80°F (27°C) and allow pressure to release to 0 psi (0 bar) before servicing.

Failure to follow this caution could cause personal injury.

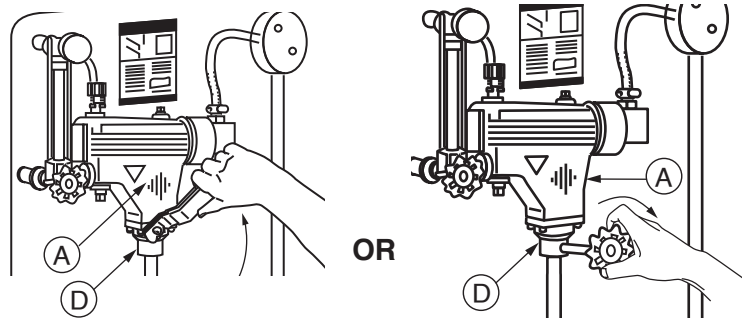
- a. Shut off the boiler and disconnect the power to the entire boiler system.



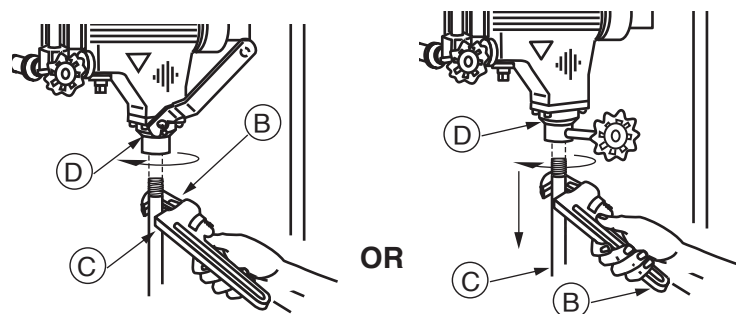
- b. Shut off the inlet water supply by closing the make up water feed valve.



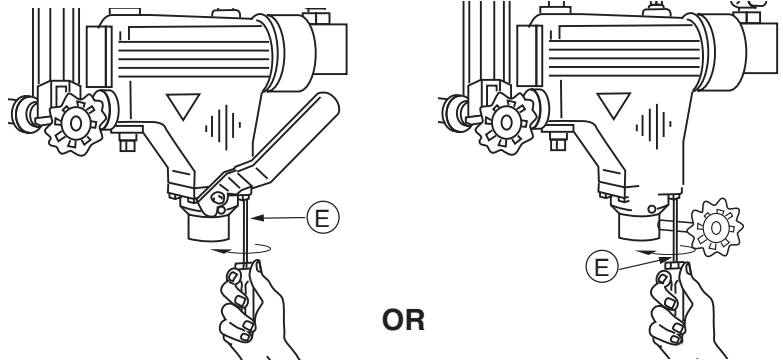
- c. Open the blow down valve (D). Drain the control (A) to a point where no additional water can enter the control. Let the control (A) and surrounding equipment to cool to 80°F (27°C) and allow pressure to release to 0 psi (0 bar).



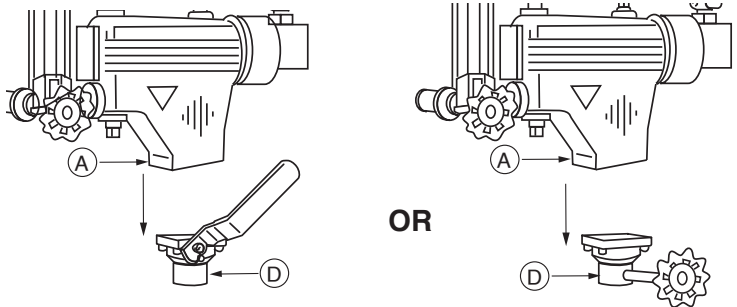
- d. Using a pipe wrench (B), remove the blow down pipe (C) from the existing blow down valve (D).



- e. Using a flathead screwdriver (E), loosen the four (4) screws.



- f. Remove the blow down valve (D) from the control (A). If necessary, use a hammer to tap it loose.



NOTE: For spring type blow down valves, the spring mechanism must be removed from the control body.

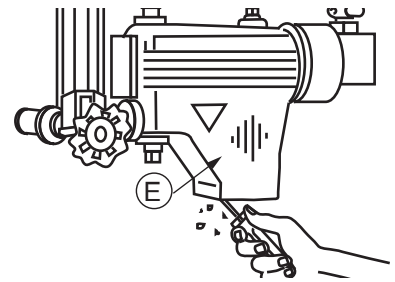


CAUTION

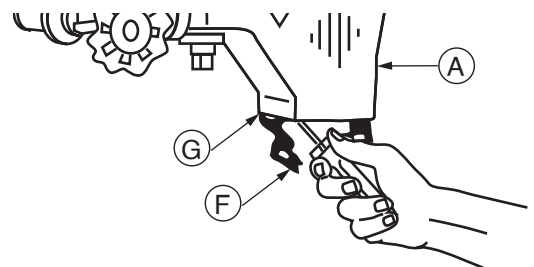
To prevent flooding, do not puncture float.

Failure to follow this caution could cause property damage.

- g. Inspect the float chamber (E) for debris. Carefully remove any debris, mud, or other foreign matter which may obstruct the float's full range of motion, without puncturing the float.

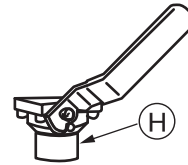


- h. Using a scraper, remove the old gasket (F) from the control (A). The gasket sealing surface (G) must be smooth and clean for proper installation.

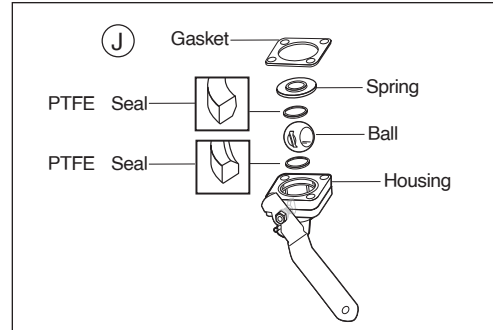


STEP 2 - Installing the New Blow Down Valve

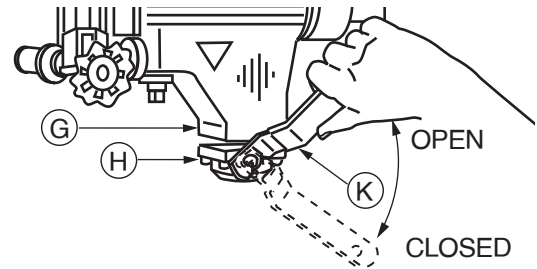
- a. Hold the new replacement blow down valve (H) upright and remove the rubber band around the valve body.



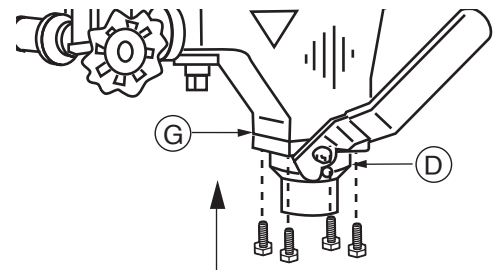
Be careful not to tip the valve as its components might fall out. If this occurs, reassemble as shown (J).



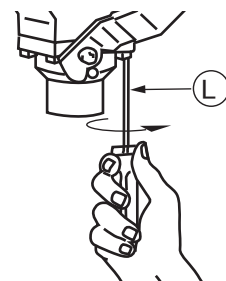
- b. Position the blow down valve (H) onto the control's mating surface (G). So that its handle (K) is accessible and is able to swing through its full range of motion (90°).



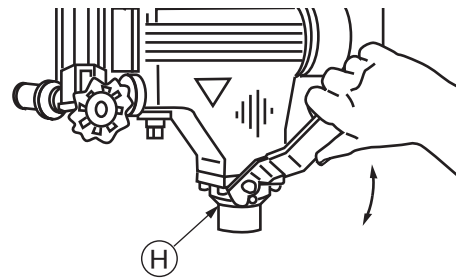
- c. Insert the four (4) screws provided through the blow down valve and gasket (D) into the threaded holes on the mating surface (G).



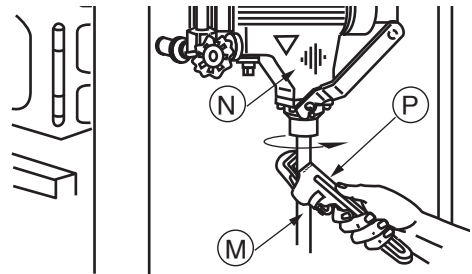
- d. Using a flathead screwdriver (L), tighten the screws to approximately 15 ft•lb (20 N•m).



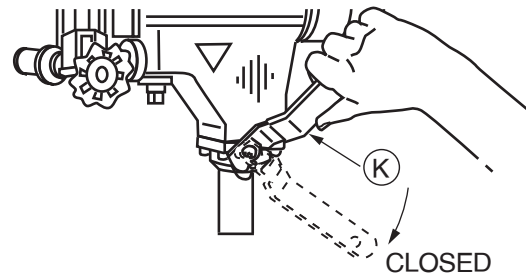
- e. Verify that the blow down valve (H) is unobstructed by opening and closing the valve over its full range of motion (90°).



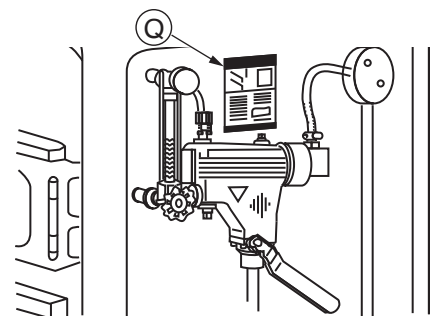
- f. Apply pipe sealing compound to the threaded end of a 3/4" (20mm) NPT blow down pipe (M) and screw it into the control (N). Tighten the pipe (M) with a pipe wrench (P) to approximately 47 ft•lb (64 N•m).



- g. Turn the blow down valve handle (K) to its closed position.

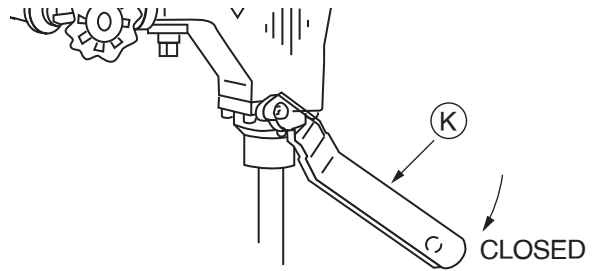


- h. Hang the enclosed blow down card (Q) as close to the control as possible, or remove the protective backing and affix the card on the boiler jacket close to the control.

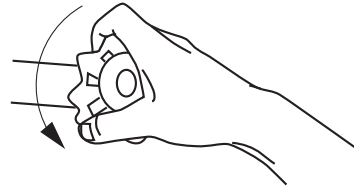


STEP 3 - Testing

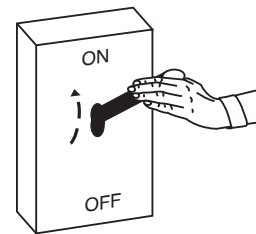
- a. Make sure that the blow down valve handle (K) is in its closed position.



- b. Open the make-up water feed valve.

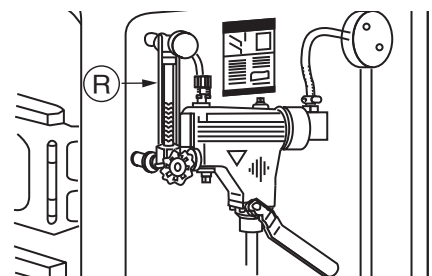


- c. Turn on the power to the boiler system and turn on the boiler.



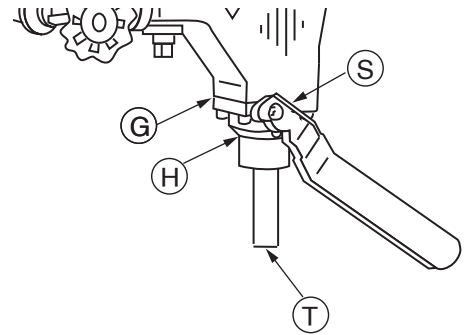
- d. Verify that the burner is off and that the system is filling with water by observing the water level rise in the gauge glass (R)

IMPORTANT: The burner must not turn on until the water level has reached its minimum safe operating level as determined by the boiler manufacturer. If the burner turns on before this point, immediately shut off the boiler and correct the problem. Other equipment may be involved and the system should be inspected by qualified personnel.



e. Allow the system to build to its normal operating pressure and check for leakage around the mating surface (G), the shaft (S), and the pipe opening (T).

1. If leakage occurs around the mating surface (G), retighten the four (4) screws. If leakage continues, follow "Step 1" to remove the blow down valve (H). Closely following the installation instructions, replace it.
2. If leakage occurs around the valve shaft (S), follow "Step 1" to remove the blow down valve (H). Closely following the installation instructions, replace it.
3. If leakage occurs around the pipe outlet (T), follow "Step 1" to remove the blow down valve (H) and verify that it has been properly assembled as shown in "Step 2-a". Inspect the blow down valve (H) for debris which may prevent it from completely closing or sealing. If leakage continues, follow "Step 1" to remove it. Closely following the installation instructions, replace the blow down valve (H).



WARNING

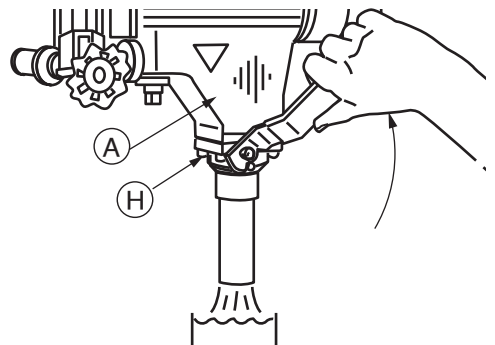


To prevent serious personal injury from steam blow down, connect a drain pipe to avoid exposure to steam discharge.

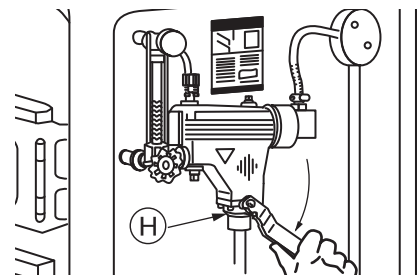
Failure to follow this caution could cause personal injury or death.

f. Open the blow down valve (H) to "blow down" the control (A). The burner should shut-off.

IMPORTANT: If the control (A) does not blow down and/or the burner does not shut-off, close the blow down valve (H), immediately shut off the boiler, and correct the problem. Other equipment may be involved and the system should be inspected by qualified personnel.



g. Close the blow down valve (H) and check for leakage by following the instructions in "Step 3" section e.



INSTALLATION COMPLETE