

# AL-1400 Diaphragm Meter

## Remanufactured Meter



ITT Controls Meter's aluminum case meters are designed to provide positive displacement accuracy for industrial or commercial loads

### Features

- Die-cast aluminum case
- Oil-impregnated, self-lubricating bushings
- Molded, convoluted diaphragms for smooth operation and long life
- Rigid, reinforced flag rods for positive alignment and sustained accuracy
- Graphite-filled phenolic valves to minimize wear
- Long-life, low friction, grommet seals
- Security seals that indicate tampering

### Advantages

- Temperature compensation available from -30°F to 140°F (-34°C to 60°C)
- 1400 SCFH (39.6 m<sup>3</sup>/h) (0.60 specific gravity gas) at 1/2-inch W.C. differential
- AMR/AMI compatibility
- Meets ANSI B109.2 specifications

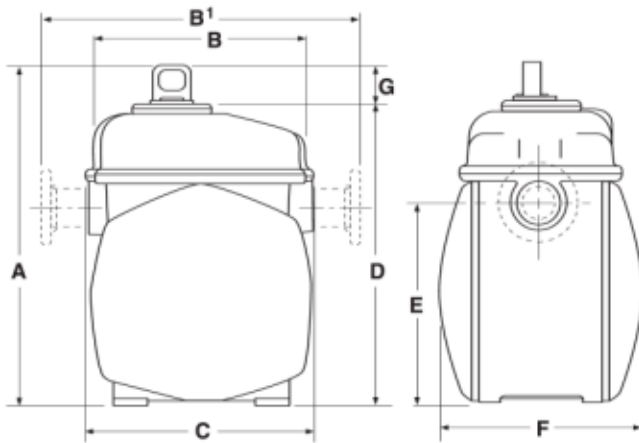
### Applications

The AL-1400 is ideally suited for commercial and industrial installations. It is unequalled for accuracy retention and for life cycle maintenance economies.

### Options

- Regular or Temperature Compensated
- Pointer or odometer index
- 5ft<sup>3</sup>, 10ft<sup>3</sup>, or 0.1m<sup>3</sup> drive
- 2" NPT, 3" NPT and 3" flanged connection sizes
- 100 PSIG (6895 mbar) Maximum Allowable Operating Pressure (MAOP)
- Pressure compensating indexes
- Standard or UV protected index covers
- Remote Volume Pulsers

## AL-1400 Diaphragm Meter



Dimensions - Inches (mm)

MAOP (PSIG)	Dimensions								Weight	
	A	B	B <sup>1</sup>	C	D	E	F	G	(lbs.)	Connections
100	28.88 (734)	17.25 (439)		17.38 (442)	24.62 (626)	15.00 (381)	15.88 (404)	4.25 (108)	120	2" NPT (F)
100	28.88 (734)	17.25 (439)		15.75 (401)	24.62 (626)	15.00 (381)	15.88 (404)	4.25 (108)	120	3" NPT (F)
100	28.88 (734)		28.00 (712)		24.62 (626)	15.00 (381)	15.88 (404)	4.25 (108)	132	3" Flanged

## Capacities (0.60 specific gravity gas)

Line Pressure PSIG (mbar)	Differential Inches W.C. (mbar)	SCFH (m <sup>3</sup> /h)
0.25 (17)	1/2 (1.2)	1400 (39.6)
0.25 (17)	2 (5)	3000 (85.0)
5 (345)	2 (5)	3700 (104.8)
10 (690)	2 (5)	4600 (130.3)
15 (1035)	2 (5)	5000 (141.6)
20 (1379)	2 (5)	5600 (158.6)
25 (1724)	2 (5)	6200 (175.6)
30 (2069)	2 (5)	6800 (192.6)
50 (3447)	2 (5)	9000 (254.9)
75 (5171)	2 (5)	11500 (325.6)
100 (6895)	2 (5)	13800 (390.8)