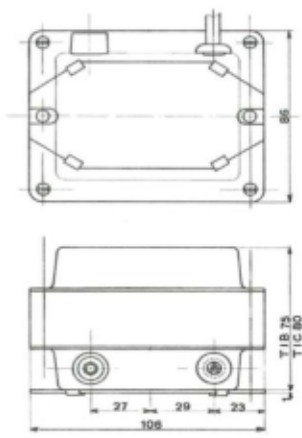


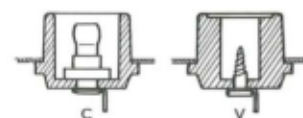
# Ignitiontransformers



## SERIE TIB STD

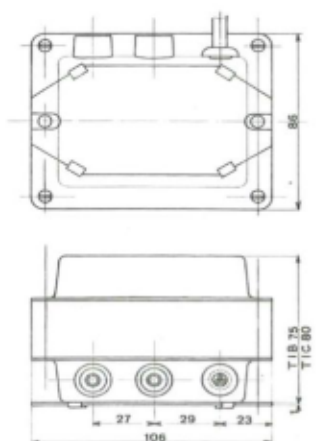
### Gasinstallations

Norm: EN 61558-2-3  
Enclosure: Sheetsteel  
Including primary leads



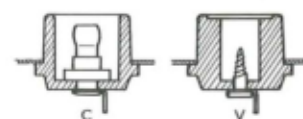
Terminals: C / V

Type	U primary (V)	I primary (A)	U secondary (V)	I secondary (mA)	Weight (kG)	Duration %
# TIB 5 LC 230 STD	230	0,6	1x5000	20	2,1	33
* TIB 7 LC 230 STD	230	0,7	1x7000	20	2,2	33
TIC 7 LC 230 STD	230	0,7	1x7000	20	2,6	66
* 110V version:		# also known as:				
TIB 7 LC 110 STD		ATG73DB3TIB5				
TIB 7 LV 110 STD						



### Oil installations

Norm: EN 61558-2-3  
Enclosure: Sheetsteel  
Including primary leads



Terminals: C / V

Type	U primary (V)	I primary (A)	U secondary (V)	I secondary (mA)	Weight (kG)	Duration %
TIB 10 LC 230 STD	230	1	2x5000	20	2,3	33
TIC 10 LC 230 STD	230	1	2x5000	20	2,7	66

Other versions on request