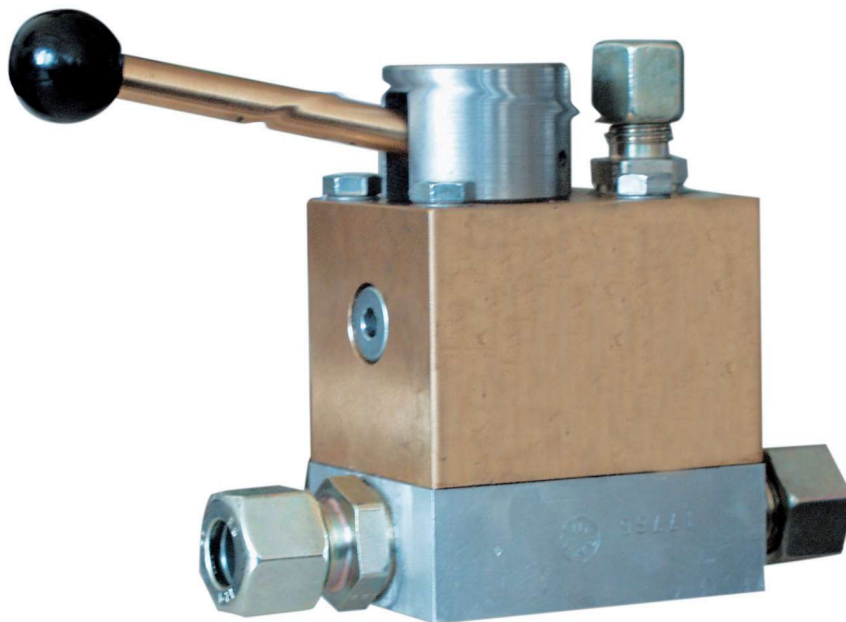


Push button valve RMG 910a



**Operation and maintenance,
spare parts**

910.20

edition 09/2004



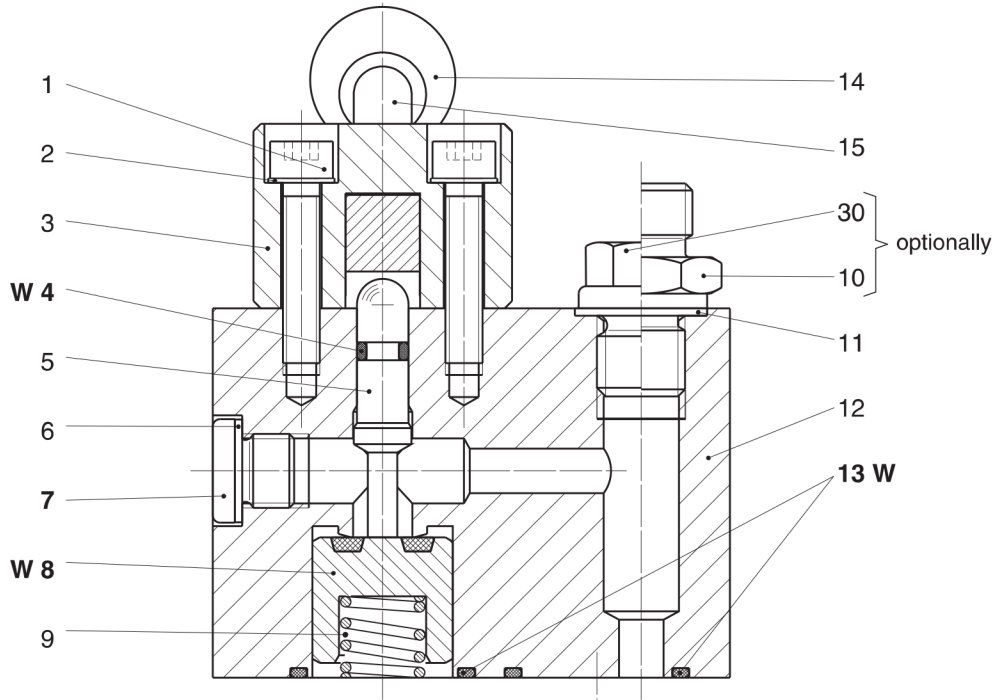
CONTROLS SUPPLY CHAIN
VALVES ACTUATORS INSTRUMENTATIONS

Serving the Gas Industry - WORLDWIDE

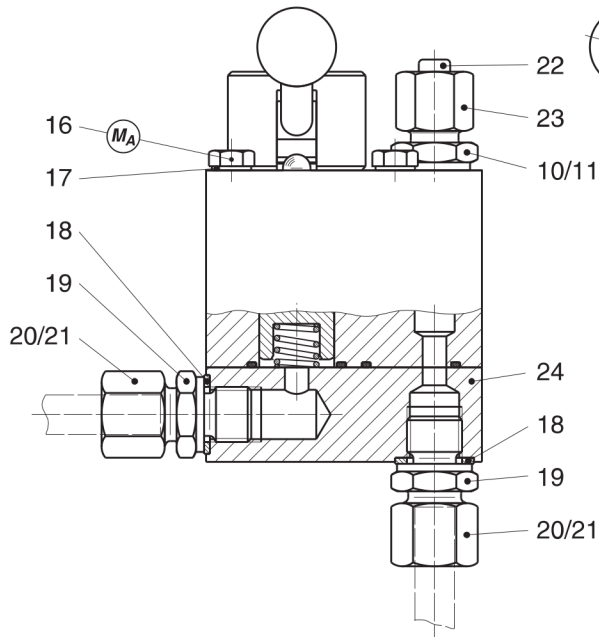


spare part drawing RMG 910a

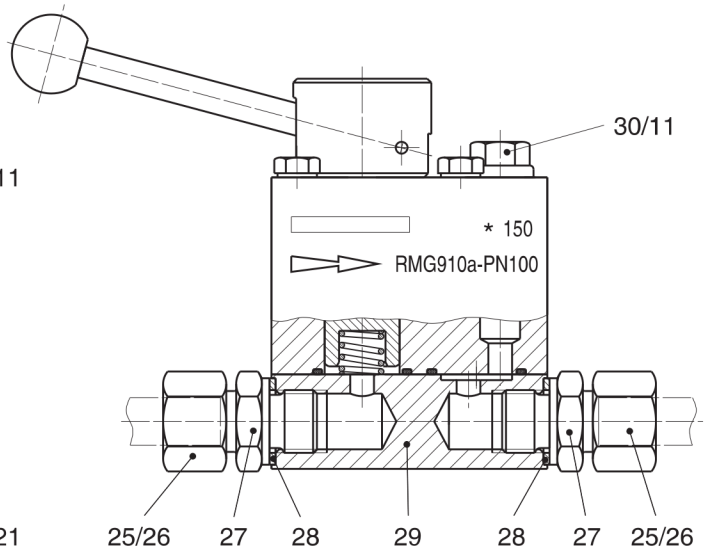
plate-assembly-type



angle-connection-type



straight-connection-type



CONTROLS SUPPLY CHAIN
VALVES ACTUATORS INSTRUMENTATIONS

MA Note the tightening torque of 8 Nm!

W Parts to be kept in stock for maintenance purposes



Spare parts list

item No.	description	amt.	W	material	Stock - No.
1	cylinder bolt	2		St	00 010 622
2	locking washer	2		FSt	00 014 126
3	bearing bush, complete	1		NSt	10 022 597
4	O-ring	1	W	KG	00 020 309
5	push button pin	1		NSt	10 022 594
6	sealing ring	1		LM	00 018 572
7	screw plug	1		St	00 010 547
8	piston	1	W	NSt/KV	10 022 595
9	pressure spring	1		FSt	10 017 595
10	screw-in socket	1		St	00 030 164
11	sealing ring	1		LM	00 018 704
12	body	1		Ms	10 005 226
13	O-ring	2	W	KG	00 020 232
14	button	1		K	00 026 518
15	lever	1		Ms	10 022 593
16	hexagonal screw	4		St	00 010 377
17	locking washer	4		FSt	00 014 111
18	sealing ring	2		LM	00 018 842
19	screw-in socket, optionally:				
19	for connection E 10	2		St	00 030 111
19	for connection E 12	2		St	00 030 074
20	union nut, optionally:				
20	for connection E 10	2		St	00 030 803
20	for connection E 12	2		St	00 030 804
21	cutting ring, optionally:				
21	for connection E 10	2		St	00 030 903
21	for connection E 12	2		St	00 030 904
22	cone plug	1		St	00 032 008
23	union nut	1		St	00 030 801
24	adaptor plate	1		LM	10 024 649
25	union nut, optionally:				
25	for connection E10	2		St	00 030 802
25	for connection E 12	2		St	00 030 804
26	cutting ring, optionally:				
26	for connection E 10	2		St	00 030 903
26	for connection E 12	2		St	00 030 904
27	screw-in socket, optionally:				
27	for connection E 10	2		St	00 030 114
27	for connection E 12	2		St	00 030 113
28	sealing ring	2		LM	00 018 694
29	adaptor plate	1		LM	10 005 227
30	screw plug	1		St	00 026 144

W Parts to be kept in stock for maintenance purposes

Materials key

St ... steel	LM ... light alloy	SSt ... foam
NSt ... stainless steel	Ms ... brass	K ... plastic
FSt ... spring steel	Cu ... copper	KG ... rubbery plastic
NFSt ... stainless spring steel	Bz ... bronze	KGFP... rubbery plastic with special coating
GS ... steel cast	GLM ... light alloy cast	FPM ... rubbery plastic material
GGG ... iron cast with spheroidal graphite	GMs ... brass cast	FP ... special plastic material
GZn ... zinc cast	AlBz ... aluminium bronze	PGL ... plexiglass
GBz ... bronze cast		

We supply you with products for gas pressure regulation:



RMG REGEL + MESSTECHNIK GMBH

Osterholzstrasse 45, D-34123 Kassel, Germany
Telephone (+49) 561 5007-0 • Fax (+49) 561 5007-107
gas pressure regulators and safety devices



RMG-GASELAN Regel + Meßtechnik GmbH

Julius-Pintsch-Ring 3, D-15517 Fürstenwalde, Germany
Telephone (+49) 3361 356-60 • Fax (+49) 3361 356-836
gas pressure regulating equipment, displacement meters, complete stations



Bryan Donkin RMG Gas Controls Ltd.

Enterprise Drive, Holmewood, Chesterfield S42 5UZ, England
Telephone (+44) 1246 501-501 • Fax (+44) 1246 501-500
gas pressure regulating equipment, below ground gas control modules



Bryan Donkin RMG Co. of Canada Ltd.

50 Clarke Street South, Woodstock, Ontario N4S 7Y5, Canada
Telephone (+1) 519 5398531 • Fax (+1) 519 5373339
domestic regulators and safety devices

The other RMG Companies:



RMG Messtechnik GmbH

Otto-Hahn-Strasse 5, D-35510 Butzbach, Germany
Telephone (+49) 6033 897-0 • Fax (+49) 6033 897-130
turbine meters, vortex meters, correctors, flow computers, odorizers



Karl Wieser GmbH

Anzinger Strasse 14, D-85560 Ebersberg, Germany
Telephone (+49) 8092 2097-0 • Fax (+49) 8092 2097-10

works Beindersheim

Heinrich-Lanz-Strasse 9, D-67259 Beindersheim/Pfalz, Germany
Telephone (+49) 6233 3762-0 • Fax (+49) 6233 3762-40
data logging, monitor systems, danger alarm systems



WÄGA Wärme-Gastechnik GmbH

Osterholzstrasse 45, D-34123 Kassel, Germany
Telephone (+49) 561 5007-0 • Fax (+49) 561 5007-207
design and assembly of gas pressure regulating and metering stations



ZUG GAZOMET Sp. z o.o.

ul. Sarnowska 2, 63-900 Rawicz, Poland
Telephone (+48) 65 546 24 01 • Fax (+48) 65 546 24 08
ball valves, accessories, gas pressure regulating and metering stations

The RMG Group of Companies on the internet: <http://www.rmg.de>

Serving the Gas Industry - WORLDWIDE



We reserve the right for technical changes



CONTROLS SUPPLY CHAIN
VALVES ACTUATORS INSTRUMENTATIONS

www.controlssupplychain.com | info@controlssupplychain.com