

15300 – 15310 LNG

Cryogenic angle globe valve



MAX PRESSURE 100 Barg
TEMPERATURE -196/+150 °C

- Globe valve design
- Upper guide
- Suitable for cryogenic fluids
- Plug material OT 58 or AISI 304
- PTFE soft seat Classe VI
- PT plug
- Fire Safe Design (on request)

ACCESSORIES

- Balanced plug
- Limit switch

APPLICATIONS

- Suitable for cryogenic fluids
- Liquid Oxygen -196°C
- Liquid Nitrogen -196°C
- Air
- LPG & LNG

MODELS / CONNECTIONS

- **15305/15315** - BW
- **15106/15316** - SW
- **15107/15317** - Female screwed
- **15108/15318** - Male screwed
- **15109/15319** - Flanged

OPERATING CONDITIONS

15300 - 15310

PMO : Max Oper. Pressure 100 Barg
TMO : Max Oper. Temp – 196/+150°C

MATERIALS

Body - ASTM A 351 CF3/CF3M/CF8/CF8M
Extension - AISI 304
Plug - OT58 / AISI 304
Disc plug - PTFE Class VI

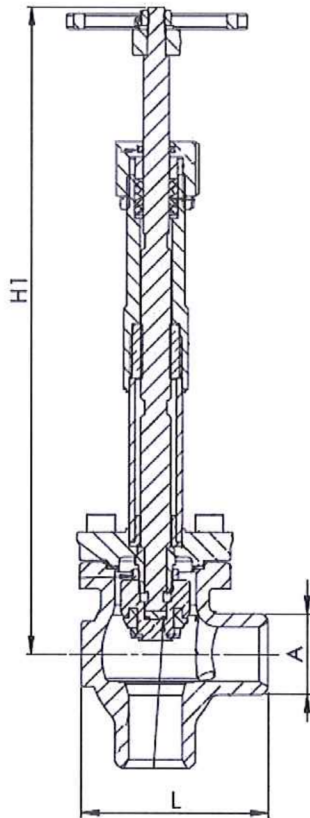
CHARACTERISTICS

15300 and 15310 manual valves are angle globe valves shut-off with handwheel. Are suitable for use with cryogenic fluids up to -196 ° C with the extended bonnet and PTFE graphite packing with self-adjusting (Fire-Safe design). The body angle type and the control is manual hand wheel. 15300 and 15310 valves are manufactured according to ASME B16.34 and complies with the provisions of Directives 97/23/EC (PED).

15300 – 15310 LNG


Cryogenic globe valve


OVERALL DIMENSIONS



DN	Inch	A	L	H1
15	1/2"	21,4	ASME B16.10 CL.600	311
20	3/4"	27		316
25	1"	33,8		314
32	1 1/4"	42,4		408
40	1 1/2"	48,4		416
50	2"	60,4		427

CERTIFICATIONS

 97/23/CE (PED)

 ATEX EX II2G