



Angle Cryogenic Safety Valve

ST-103E Rev.0.0

S3300

Maximum Pressure
40 Barg

Temperature
-200/+200°C



The safety valves S3300 have angle screwed connections M/F NPT(ANSI B 1.20.1) or GAS (BSPP ISO228/1). They are suitable to be used with cryogenic fluids up to -200°C or with high temperature fluids up to +200°C.

The valve design ensures the achievement of a set pressure of 40 bar with a rating PN.40.



The stem is guided in the upper part stream and the disk has the blowdown ring. A balanced bellow is provided, on request, for backpressures more than 10% of the set pressure value.

The valves are manufactured according to ASME B16.34 and comply with 97/23/EC (PED) standard requirements.

Materials

Body/Bonnet	B62/A216WCB A351CF8
Trim	AISI 316/304
Stem	AISI 304
Spring	AISI 316

Operating Conditions

MOP Max Operative Pressure	40 Barg
MOT Max Operative Temperature	-200/+200°C

Models/Connections

S33001	3/4" x 1 1/4" MF - NPT o Gas
S33002	1" x 1 1/4" MF - NPT o Gas
S33003	1 1/8" x 1 1/2" MF - NPT o Gas
S33004	1 1/4" x 1 1/2" MF - NPT o Gas
S33005	1 1/2" x 2" MF - NPT o Gas
S33006	2" x 2" MF - NPT o Gas
S33007	1 1/4" x 2" MF - NPT o Gas
S33008	1 1/4" x 2" MF - NPT o Gas
S33009	1 1/4" x 2" MF - NPT o Gas
S33010	1 1/4" x 1 1/2" MF - NPT o Gas

Accessories

- Test gag
- Lever with or without packing
- Balanced bellow

Applications

- Suitable for cryogenic fluids
- Liquid Oxygen -196°C
- Liquid Nitrogen -196°C
- Air
- LPG & LNG

Characteristics

- Angle body
- Blowdown ring
- Suitable for cryogenic fluids
- Stem/Plug Guided
- Screwed connections M/F
- Max Inlet rating PN.40
- Max Outlet rating PN.40
- Orifice from 10 mm to 26.5 mm
- Certificato PED Cat. IV



S3300 - Angle Cryogenic Safety Valve

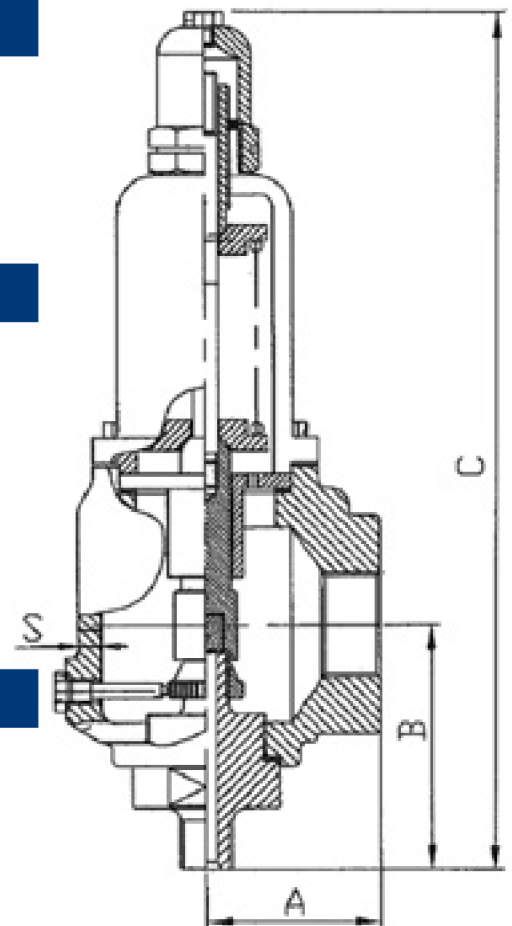
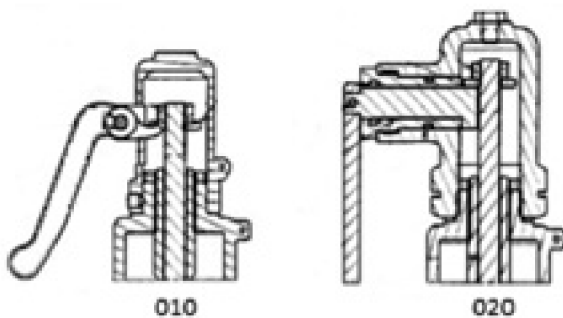
Overall Dimensions and Technical Characteristic

TYPE	Connections		Orifice			Lift mm	Min Thick. (S) mm	DIMENSIONI			
	Inlet F	Outlet F	Ø mm	Cm2	Sq.inc			A	B	C	
										STD	LEVER
33001	¾"	1 ¼"	10	0.785	0.121	2.5	6	65	95	300	300
33002	1"	1 ¼"	13.3	1.390	0.215	3.4	6				
33003	1 ½"	1 ½"	16.6	2.164	0.335	4.5	7	75	103	304	350
33004	1 ¼"	1 ½"	21.2	3.530	0.547	5.5	7				
33005	1 ½"	2"	26.5	5.515	0.855	7.5	8	90	118	400	405
33006	2"	2"	34	9.079	1.405	11	8				
33007	1 ¼"	2"	22	3.801	0.589	5.6	7	75	103	304	350
33008	1 ¼"	2"	23	4.154	0.644	5.8	7				
33009	1 ¼"	2"	26.5	5.515	0.855	7.5	7	65	95	300	300
33010	1 ¼"	1 ½"	21.2	3.530	0.547	5.5	6				

Operating Characteristic

Discharge Coefficient K	Liquids	Gas
	0,62	0,95
Overpressure	Liquids	Gas
	10%	10%

Accessories



Certifications



GOST R N.9239

UNI EN ISO 9001:2008
ICIM Certificato N. 0075/5



ATEX EX II2G