



Angle Cryogenic Safety Valve

ST-104E Rev.0.1

S3400

Maximum Pressure
40 Barg

Temperature
-200/+100°C



The safety valves S3400 have angle screwed connections M/F NPT(ANSI B 1.20.1) or GAS (BSPP ISO228/1). They are suitable to be used with cryogenic fluids up to -200°C.

The valve design ensures the achievement of a set pressure of 40 bar with a rating PN40.

The stem is guided in the upper part stream and the disk has the blowdown ring (*).

The valves are manufactured according to ASME B16.34 and comply with 97/23/EC (PED) standard requirements.

Materials

Body/Bonnet	B62
Trim	OT/AISI 316
Stem	AISI 304
Spring	AISI 316

Models/Connections

S3400ABC	1/2" x 1/2"(*)	MF - NPT o Gas
S34000	1/2" x 1/2"	MF - NPT o Gas
S34001	3/4" x 3/4"	MF - NPT o Gas
S34002	1" x 1"	MF - NPT o Gas
S34003	1 1/4" x 1 1/4"	MF - NPT o Gas
S34004	1/2" x 3/4"	MF - NPT o Gas
S34005	1" x 1 1/4"	MF - NPT o Gas
S34006	3/4" x 1 1/4"	MF - NPT o Gas
S34007	1/4" x 3/4"	MF - NPT o Gas



Operating Conditions

MOP	Max Op. Press. NP 100 Barg. Up to ND 50 Above ND 50 MOP NP 64 Barg.
MOT	Max Operative Temperature -200/+100°C

Accessories

- Test gag
- Lever with or without packing

Applications

- Suitable for cryogenic fluids
- Liquid Oxygen -196°C
- Liquid Nitrogen -196°C
- Air
- LPG & LNG

Characteristics

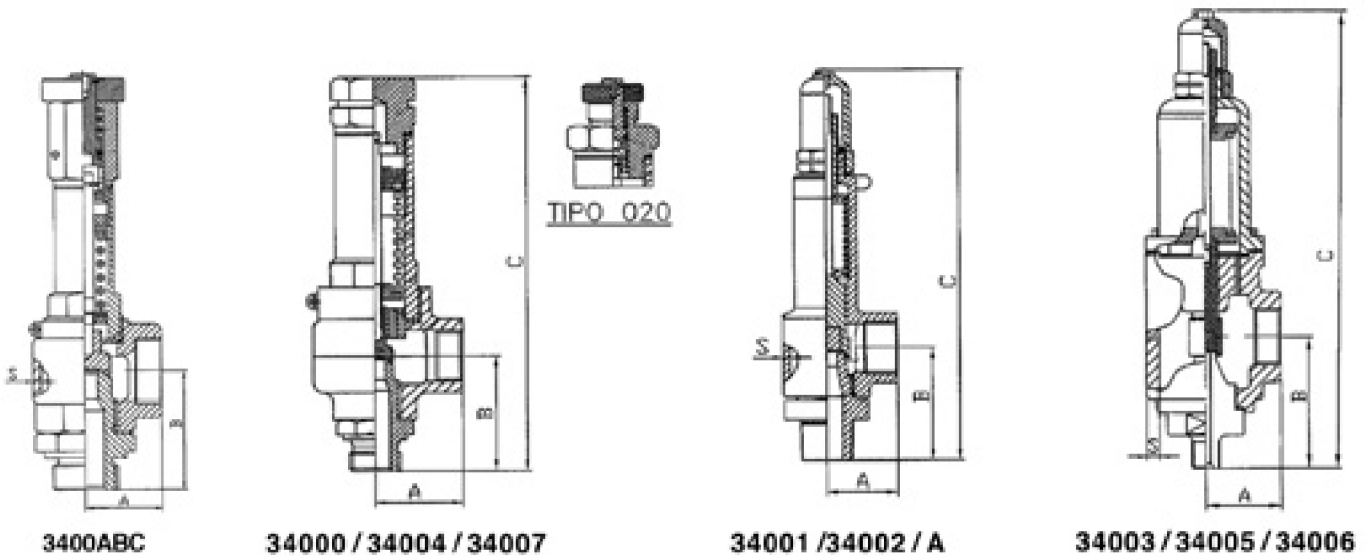
- Angle body
- Blowdown ring(*)
- Suitable for cryogenic fluids
- Screwed connections M/F
- Max Inlet rating PN.40
- Max Outlet rating PN.40
- Orifice from 7 mm to 18 mm
- PED Certificate IV Cat.
- ISPEL Protocoll N.38066



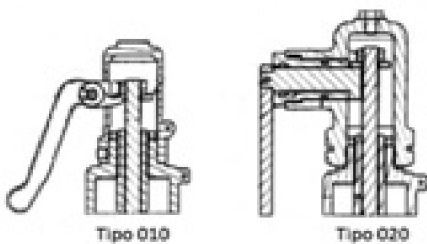
S3400 - Angle Cryogenic Safety Valve

Overall Dimensions and Technical Characteristic

TYPE	Connections		Orifice			Lift mm	Min. Thick. (S) mm	DIMENSIONS			
	Inlet M	Outlet F	Ø mm	Cm2	Sq.inc			A	B	C	
										STD	LEVER
3400 A	½"	½"	7	0.385	0.059	2.4	3.5	24.5	37.5	133	-
3400 B	½"	½"	8	0.516	0.08	2.4	3.5	24.5	37.5	133	-
3400 C	½"	½"	10	0.785	0.121	2.8	3.5	24.5	37.5	133	-
34000	½"	½"	8	0.516	0.08	2.4	3.7	36	47	160	170
34004	½"	¾"	10	0.785	0.121	3.8	3.7	36	47	160	170
34007	¼"	¾"	10	0.785	0.121	3.8	3.7	36	47	160	170
34001	¾"	¾"	10	0.785	0.121	3.8	3.5	40	67	225	225
34002	1"	1"	14	1.54	0.238	4.7	5	45	71	240	240
34002/A	¾"	1"	14	1.54	0.238	4.7	5	45	71	240	240
34003	1¼"	1¼"	18	2.54	0.393	6	5	50	82	275	275
34005	1"	1¼"	14	1.54	0.238	4.7	5	50	82	275	275
34006	¾"	1¼"	14	1.54	0.238	4.7	5	50	82	275	275



Accessories



Certifications



GOST R N.9239

UNI EN ISO 9001:2008
ICIM Certificato N. 0075/5

