



Cryogenic Swing Check Valve

ST-208E Rev.0.0

VDR-SC8800

Maximum Pressure
100 Barg
Temperature
-196/+100°C



The VDR-SC are swing check valves horizontal installation unidirectional. Are suitable for cryogenic fluids up to -196°C.

Leakage class VI guarantee with PCTFE disc, the seat is screwed to the body and easily replaceable.



Connection are BW-ASME B16.25 and FLANGED-ASME B16.10.

The valves are manufactured according to ASME B16.34 and comply with 97/23/EC (PED) standard requirements.

Materials

Body	ASTM A 351 CF8M
Cover	ASTM A 351 CF8M
Disc	AISI 316
Leakage	PCTFE Class VI

Operating Conditions

MOP Max Op. Press. NP 100 Barg.
MOT Max Operative Temperature -196/+100°C

Models/Connections

VDR-SC8805 BW
VDR-SC8809 Flanged ASME 150
VDR-SC 8819 Flanged ASME 300
VDR-SC 8829 Flanged ASME 600
Other connections on request

Characteristics

- SWING check valve
- Horizontal mounting
- From DN.4" to 16"
- Class 150/300/600
- Suitable for cryogenic fluids
- Unidirectional valve
- Soft seat PCTFE Class VI
- Disc retractable for low pressure drop
- FIRE SAFE ISO 10497
- Driven disc

Applications

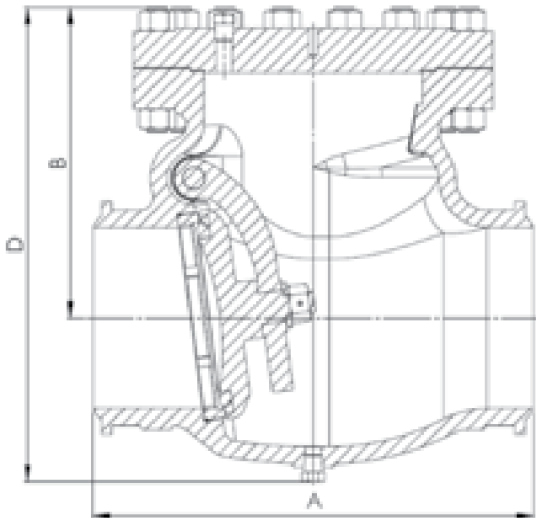
- Suitable for cryogenic fluids
- Liquid Oxygen -196°C
- Liquid Nitrogen -196°C
 - Air
 - LPG & LNG



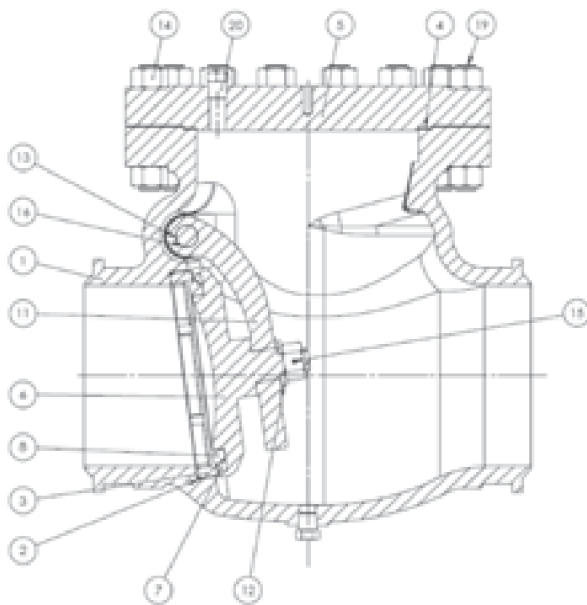


VDR-SC 8800 - Cryogenic Swing Check Valve

Overall Dimensions and Technical Characteristic



DN	Inch	A-150	A-300	A-600	B	D
100	4"	292	356	432	260	364
150	6"	356	445	559	350	490
200	8"	495	533	660	420	588
250	10"	622	622	788	490	686
300	12"	698	711	838	525	735
350	14"	787	838	889	555	777
400	16"	864	864	990	605	847



POS.	DESCRIPTION
1	Body
2	Gasket
3	seat
4	Gasket
5	Cover
6	Disc
7	PCTFE seal
8	Stop ring
11	Lever
12	Washer
13	Keystone
14	Nut
15	Block nut
16	Gasket
19	Bolt
20	Cap

Certifications



97/23/CE (PED)



GOST R N.9239

UNI EN ISO 9001:2008

ICIM Certificato N. 0075/5



TPED C



ATEX EX II 2G