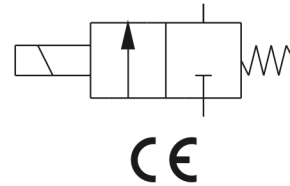


INDIVIDUAL VALVES

EV 01 2/2 directional valve



- directly controlled directional seat valve with solenoid operation
- normally closed
- for line installation
- seal materials adapted to various media
- principle of wet core, dry coil
- solenoid coils for a.c. and d.c. voltages
- solid construction
- integrated protection filter
- main applications in the welding engineering
- test certificate DIN-DVGW (for P3 1/8 and P3 1/4)



Technical data:

Valve see "Technical Explanations" for seal materials

Medium	Temperature	Seal material	
		RAPA	ASTM
Air, water, mineral oil, neutral gases	-15°C to +60°C	P	NBR

Ambient temperature : -10°C to + 60°C
 Medium viscosity: max. 150mm²/s
 Burst pressure : ≥ 60 bar

Materials

Valve body: Cu Zn 39 Pb3 F37
 Guide tube: 1.4303
 Core/armature: 1.4105

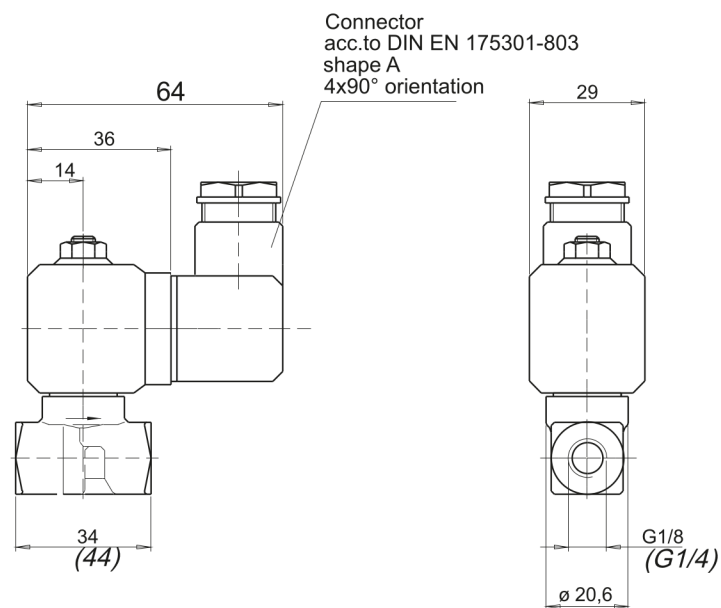
Functional values (up to viscosity 30 $\frac{\text{mm}^2}{\text{S}}$)

Connection	Nominal orifice dia./mm	Kv value l/min	Seal material	Service pressure [bar]	
				~	=
G 1/8	2	1,5	P	0-18	0-11
	2,5	2,3	P	0-11	0-7
	3	2,8	P	0-7	0-3
	3 DVGW	2,8	P	0-2	-
G 1/4	2,5	2,3	P	0-11	0-7
	3	2,8	P	0-7	0-3
	3 DVGW	2,8	P	0-2	-
	3,5	3,3	P	0-5	0-2

INDIVIDUAL VALVES

EV 01 2/2 directional valve

Dimensional drawing



Net weight: appr. 240 g

Standard voltages: 12V d.c., 24V d.c.
24V, 42V, 230V a.c.