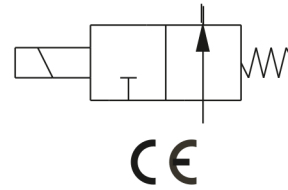


INDIVIDUAL VALVES

SV 05 2/2 directional valve



- directly controlled directional seat valve with solenoid operation
- normally open
- for line installation
- seal materials adapted to various media
- principle of wet core, dry coil
- solenoid coils for a.c. and d.c. voltages
- main applications in the mechanical engineering and appliance industry
- SZU approval



Technical data:

Valve see "Technical Explanations" for seal materials

Media	Temperature °C	Seal material	
		RAPA	ASTM
Air, water, mineral oil, neutral gases	-15 bis + 60	P	NBR
Mineral oils, waterfree air	-10 bis + 70	K	-
Heavy oil, hot water, for high pressures	-20 bis +140	R	synth.Ruby
Water, steam	-10 bis +130	E	EPDM
Petrol, benzene, various chemicals	-20 bis +100	V	FKM

Ambient temperature: -20°C bis +40°C
 Medium viscosity: max. 150mm²/s
 Burst pressure: ≥ 250 bar

Materials:
 Valve body: Cu Zn 39 Pb 3 F44
 Guide tube: 1.4303
 Core/armature: 1.4105
 Valve seat: 1.4305

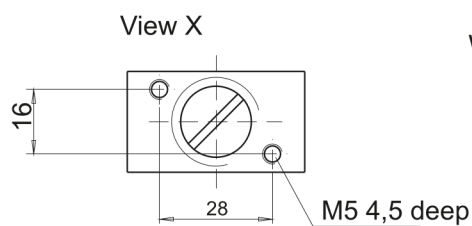
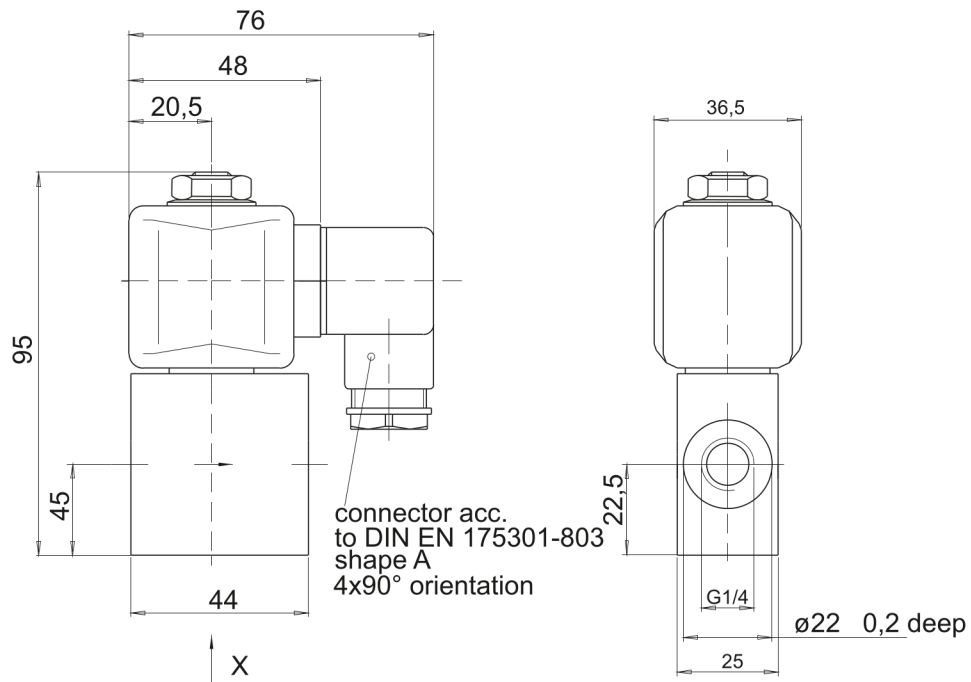
Functional values (up to viscosity 30 $\frac{mm^2}{s}$)

Connection thread	Nomin. orifice dia./mm	Kv value l/min	Seal material	Service pressure bar	
				~	=
G 1/4	2,5	2,8	K	0-40	0-30
	3	3,5	K	0-30	0-20
	3	3,5	R	0-30	0-20
	3,8	4,2	K	0-20	0-10
	3,8	4,2	P	0-20	0-10
	3,8	4,2	V	0-15	0-10
	3,8	4,2	E	0-15	0-10
	3,8	4,2	E	0-15	0-10

INDIVIDUAL VALVES

SV 05 2/2 directional valve

Dimensional drawing



Weight appr. 590 gr.

Net weight: appr. 240 g

Standard voltages: 12V d.c., 24V d.c.
24V, 42V, 230V a.c.