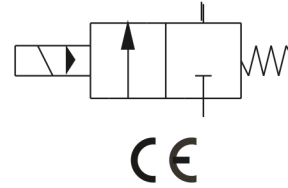


INDIVIDUAL VALVES

SV 11 2/2 directional valve



- servo-assisted directional seat valve with solenoid operation
- normally closed NC
- for use in water piping, drinking water supplies included
- various seal materials may be adapted to different media
- principle of wet core, dry coil
- solenoid coil M20 for a.c. and d.c. voltage
- rectifier plug included
- servo-assisted diaphragm
- hammering-free closing
- main application in warm water heating plants as well as in Drinking water systems
- SZU approved
- no differential pressure required



Technical data:

Valve

for seal materials see "Technical Explanations"

Media	Temperature °C	Seal materials	
		RAPA	ASTM
Air, water, mineral oils, neutral gases	-15 bis + 60	P	NBR
Water, steam	-10 bis +130	E	EPDM

Ambient temperature : -20°C bis + 40°C
 Media viscosity: max. 50 mm²/s
 Burst pressure : ≥ 40 bar

Materials

Valve body: Cu Zn 40 Pb 2 F37
 Guide tube: 1.4303
 Core/armature: 1.4105

Functional values

Connection	Nominal width Mm	Kv value l/min	Seal material	Service pressure (bar)
G 3/4	23	160	P/E	0 - 8
G 1	25	185	P/E	0 - 8

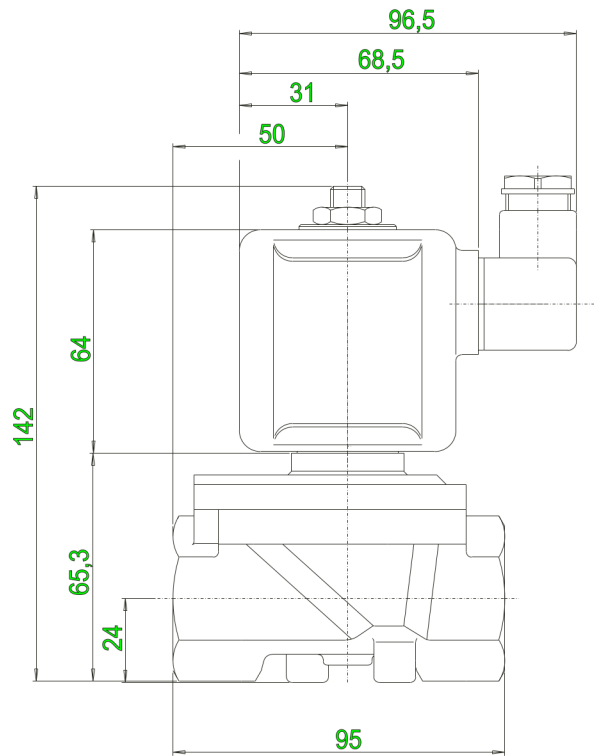
Net weight: appr. 2000 g

Standard voltages: 12V, 24V d.c.
 24V, 42V, 230V a.c.

INDIVIDUAL VALVES

SV 11 2/2 directional valve

Dimensional drawing



Connector
as per DIN EN 175301-803
Type A
Rotating 4x90°

