

Dry Test Meters



The Dry Test Meters are used for field or laboratory testing of various hydrocarbon or other non-corrosive gases to obtain highly accurate volume measurements.

Features

- One-piece, die-cast aluminum body
- 6-inch circular dial, large sweep hand and four totalizing hands
- Molded, convoluted diaphragms for smooth operation and long life
- Rigid, reinforced flag rods for positive alignment and sustained accuracy
- Graphite-filled phenolic valves to minimize wear
- Long-life, low friction, grommet seals
- Single coat polyester primer with high solids polyurethane top coat
- Carrying handle

Advantages

- Directional rotation is the same for all hands thus limiting possible error
- Valve motion and related parts eliminates the angular errors of working parts

Applications

Elster American Meter Dry Test Meters are used for field or laboratory testing of gas unsaturated with water vapor.

Options

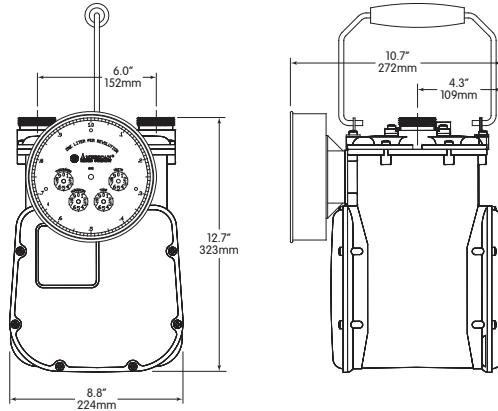
- 6 point high end accuracy curve
- 6 point low end accuracy curve
- Both high and low end accuracy curves
- Certificate of Accuracy
- Dial pressure gage
 - DTM-200A
 - 0-5 PSIG (0 - 34 kPa)
 - DTM-325
 - 0 - 15 PSIG (0-100 kPa)
- Dial type thermometer
 - DTM-200A
 - -40°F to 160°F (-40°C to 70°C)
 - DTM-325
 - -40°F to 160°F (-40°C to 70°C)

- Special Indexes
 - 1/10 cubic foot/rev (DTM 200A)
 - 1 cubic foot (DTM-200A and DTM-325)
 - 1 Liter (DTM-200A)
 - 10 Liter (DTM-200A and DTM-325)
 - 100 Liter (DTM-200A and DTM-325)



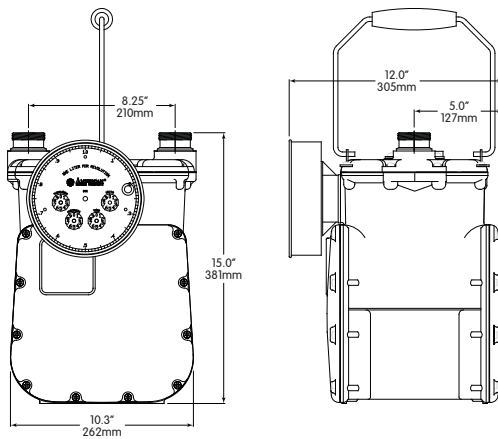
Dry Test Meter 200A

Weight = 14 lbs



Dry Test Meter 325

Weight = 23 lbs



Models 200A and 325

Modifications of standard aluminum case meters resulted in a highly accurate measuring device individually calibrated for optimum performance. Friction mounted sweep hands with a choice of dial capacities monitor gas flows with uncommon precision.

Model	Dial Resolution	Capacity
DTM-200A	1/10 Cubic Foot	200 CFH*
DTM-200A	1 Cubic Foot	200 CFH*
DTM-200A	1 Liter	5600 LH*
DTM-200A	10 Liter	5600 LH*
DTM-200A	100 Liter	5600 LH*
DTM-325	1 Cubic Foot	325 CFH*
DTM-325	10 Liter	9200 LH*
DTM-325	100 Liter	9200 LH*

*Air @ 1/2" W.C. diff.

Ordering Information

Model

Type of Index

Options

- Pressure Gage
- Temperature Gage
- Accuracy Curves

About Elster Group

A world leader in advanced metering infrastructure, integrated metering, and utilization solutions to the gas, electricity and water industries. Elster's metering and system solutions reflect over 170 years of knowledge and experience in measuring precious resources and energy.

Elster provides solutions and advanced technologies to help utilities more easily, efficiently and reliably obtain and use advanced metering intelligence to improve customer service, enhance operational efficiency, and increase revenues. Elster's AMI solutions enable utilities to cost-effectively generate, deliver, manage, and conserve the life-essential resources of gas, electricity, and water.

Elster has a staff of over 7,500 serving customers globally in North America, Central America, South America, Europe, Asia, Africa and the Middle East.

ISO 9001:2000



Certification No. 006697