



ANDERSON GREENWOOD MARVAC SERIES 121V VACUUM RELIEF VALVES

Weight or spring loaded vacuum relief valves with a variety of material and setting options



FEATURES

- Weight or spring loaded models available.
- Choice of body materials.
- Stainless steel removable seats.
- Low ambient temperature version available.
- Full flange.
- ANSI and DIN flanges.
- Self draining body.

GENERAL APPLICATION

The Series 121V is designed to satisfy the requirements of the liquid storage industry in storage tank farms, in the petroleum and chemical sectors and in refineries and terminals.

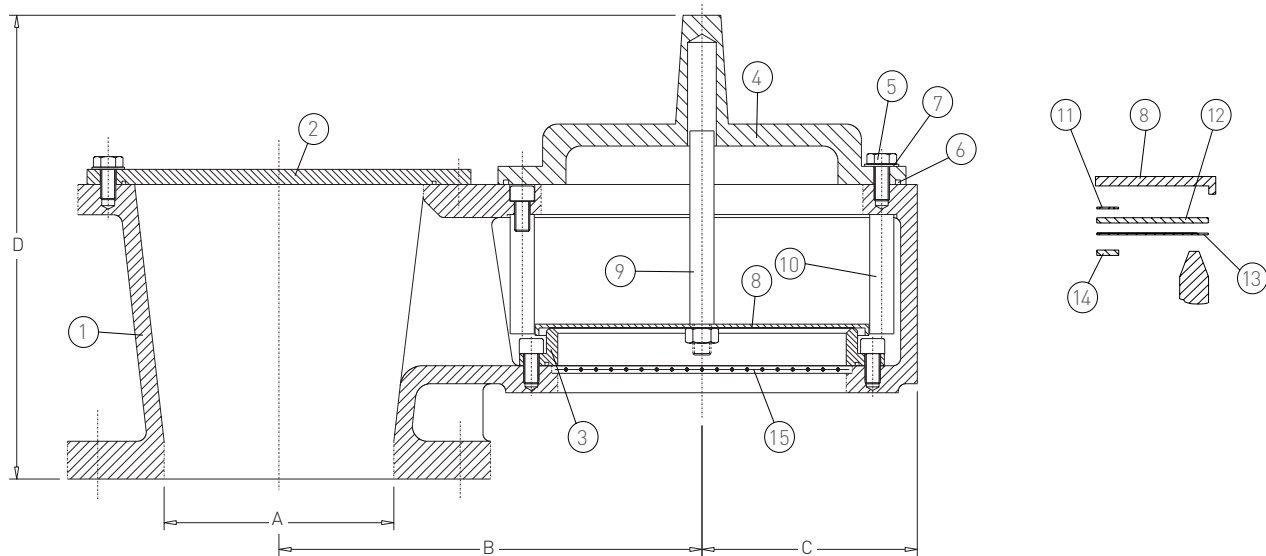
TECHNICAL DATA

Materials:	Aluminum, carbon steel, stainless steel
Sizes:	2" to 12" (DN 50 to 300)
Vacuum settings	
Weight loaded:	2.5 to 70 mbarg
Spring loaded:	50 to 800 mbarg
Max. operating pressure:	3.5 bar



ANDERSON GREENWOOD MARVAC SERIES 121V VACUUM RELIEF VALVES

121V VACUUM RELIEF VALVE
Weight loaded



PARTS LIST

Item	Description	Aluminum spec.	C. steel	SS spec
1	Valve body	Aluminum	WCB	316 SS
2	Blanking plate	Aluminum	C. steel	316 SS
3	Removable seat	Aluminum	316 SS	316 SS
4	Valve cover	Aluminum	WCB	316 SS
5	Cover screws	ZP steel	ZP steel	18/8 SS
6	O-ring seal	Nitrile	Nitrile	Nitrile
7	Sealing washers	G fiber	G fiber	G fiber
8	Pallet	316 SS	316 SS	316 SS
9	Pallet stem	316 SS	316 SS	316 SS
10	Pallet guide posts	316 SS	316 SS	316 SS
11	Spacer disc	Non-asbestos	Non-asbestos	Non-asbestos
12	Diaphragm backing disc	Non-asbestos	Non-asbestos	Non-asbestos
13	Diaphragm	PTFE	PTFE	PTFE
14	Diaphragm support disc	316 SS	316 SS	316 SS
15	Screen	Galv St	Galv St	18/8 SS

DIMENSIONS

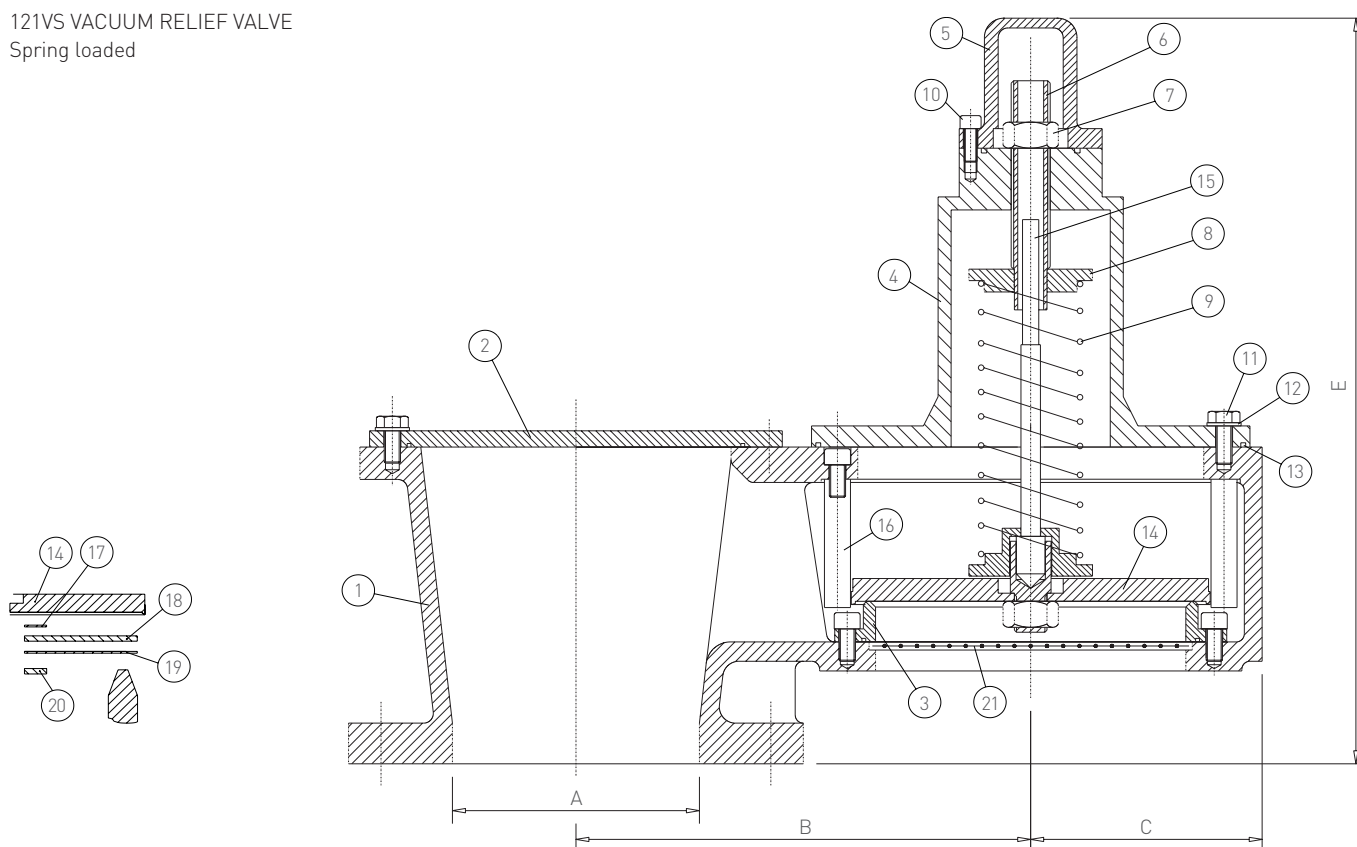
Nominal size DN	50	75	100	150	200	250	300
Nominal size NPS	2	3	4	6	8	10	12
A	50	76	101	152	203	254	305
B	146	185	213	280	335	397	450
C	81	100	118	142	173	208	235
D	226	264	289	307	357	406	441
E	390	411	430	465	562	610	580

WEIGHTS 121V WEIGHT LOADED

	2"	3"	4"	6"	8"	10"	12"
Aluminum	4	6	10	17	26	39	51
CS/SS	11	14	25	43	68	101	135

ANDERSON GREENWOOD MARVAC SERIES 121V VACUUM RELIEF VALVES

121VS VACUUM RELIEF VALVE
Spring loaded



PARTS LIST

Item	Description	Aluminum spec.	C. steel	SS spec
1	Valve body	Aluminum	WCB	316 SS
2	Blanking plate	Aluminum	C. steel	316 SS
3	Removable seat	Aluminum	316 SS	316 SS
4	Spring bonnet	Aluminum	WCB	316 SS
5	Bonnet cap	Aluminum	WCB	316 SS
6	Adjustment screw	316 SS	316 SS	316 SS
7	Locknut	18/8 SS	18/8 SS	18/8 SS
8	Spring washers	316 SS	316 SS	316 SS
9	Spring	316 SS	316 SS	316 SS
10	Cap screw	ZP steel	ZP steel	18/8 SS
11	Bonnet screws	ZP steel	ZP steel	18/8 SS
12	Sealing washers	G fiber	G fiber	G fiber
13	O-ring seal	Nitrile	Nitrile	Nitrile
14	Pallet	316 SS	316 SS	316 SS
15	Pallet stem	316 SS	316 SS	316 SS
16	Pallet guide posts	316 SS	316 SS	316 SS
17	Spacer disc	Non-asbestos	Non-asbestos	Non-asbestos
18	Diaphragm backing disc	Non-asbestos	Non-asbestos	Non-asbestos
19	Diaphragm	PTFE	PTFE	PTFE
20	Diaphragm support disc	316 SS	316 SS	316 SS
21	Screen	Galv St	Galv St	18/8 SS

WEIGHTS 121VS SPRING LOADED

	2"	3"	4"	6"	8"	10"	12"
Aluminum	6	8	12	18	67	tba	tba
CS/SS	17	24	35	56	84	120	160

ANDERSON GREENWOOD MARVAC SERIES 121V VACUUM RELIEF VALVES

121V WEIGHT LOADED VACUUM FLOW FIGURES

Set pressure mbar	2"			3"			4"			6"			8"			10"			12"		
	Over pressure			Over pressure			Over pressure			Over pressure			Over pressure			Over pressure			Over pressure		
	20%	35%	50%	20%	35%	50%	20%	35%	50%	20%	35%	50%	20%	35%	50%	20%	35%	50%	20%	35%	50%
2.5	44	58	75	99	131	168	175	232	298	395	523	671	702	929	1194	1096	1451	1865	1579	2090	2686
10	88	116	149	197	261	336	351	464	597	789	1045	1343	1403	1858	2387	2192	2903	3730	3157	4180	5371
25	139	184	236	312	413	531	555	734	944	1248	1652	2123	2219	2938	3775	3466	4590	5898	4992	6610	8493
50	196	260	334	441	584	751	784	1039	1335	1765	2337	3003	3138	4154	5338	4902	6491	8341	7059	9347	12011
60	215	284	365	483	640	822	859	1138	1462	1933	2560	3289	3437	4551	5847	5370	7111	9137	7733	10240	13157

Flow in m³/hr

121VS SPRING LOADED VACUUM FLOW FIGURES

Set pressure mbar	2"			3"			4"			6"			8"			10"			12"		
	Over pressure			Over pressure			Over pressure			Over pressure			Over pressure			Over pressure			Over pressure		
	20%	35%	50%	20%	35%	50%	20%	35%	50%	20%	35%	50%	20%	35%	50%	20%	35%	50%	20%	35%	50%
150	184	251	301	414	565	676	736	1005	1202	1657	2261	2705	2946	4019	4809	4602	6280	7514	6627	9043	10820
250	238	325	389	535	731	874	952	1299	1554	2142	2923	3497	3808	5196	6217	5950	8118	9714	8567	11690	13987
500	337	459	549	757	1033	1236	1346	1837	2198	3029	4133	4945	5385	7348	8792	8414	11481	13737	12116	16532	19781
750	412	562	673	927	1265	1513	1648	2248	2690	3707	5059	6053	6591	8993	10760	10298	14051	16813	14829	20234	24211

Flow in m³/hr