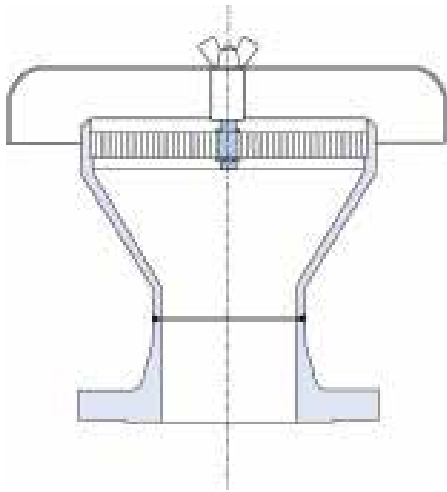




ANDERSON GREENWOOD AMAL LER/LERC/LEF/LEFC FLAME ARRESTERS

Lightweight end-of-line deflagration flame arresters designed to prevent the propagation of a flame with subsonic speed.



FEATURES

- Weather cowled or non-cowled model variants available.
- Fabricated design.
- Lightweight construction.
- Advanced crimped stainless steel element construction as standard. Other materials available.
- Independently tested and certified.
- Manufactured to ISO 9001:2015

GENERAL APPLICATION

The Types LER and LEF are mounted on tanks or on the end of discharge pipes to stop flames entering the process. The Type LEF's 1:1 inlet to element ratio design makes it ideal for low cost, low pressure drop applications.

TECHNICAL DATA

Materials:	Carbon steel, stainless steel
Sizes:	DN 6 to 400 (1/8" to 16")
Connections:	Threaded or flanged
Temperature range:	-20 to 60°C (-4 to 140°F) ¹⁾
Gas groups:	IIA, IIB1, IIB2, IIB3, IIB, IIC
Certification:	ATEX Directive 2014/34/EU

1. Temperatures up to 200°C (392°F) available for certain gas groups.

ANDERSON GREENWOOD AMAL LER/LERC/LEF/LEFC FLAME ARRESTERS

MATERIALS AND CONNECTION OPTIONS

Materials

Carbon steel and stainless steel.

Connection pipe size

Threaded

LER/LERC: DN 6 to 50 (1/8" to 2")

Flanged

LER/LERC: DN 15 to 400 (1/2" to 16")

LEF/LEFC: DN 40 to 400 (1 1/2" to 16")

NOTE

Accessories, special materials and connections are available on request.

Gas groups

- IIA
- IIB1
- IIB2
- IIB3
- IIB
- IIC

HIGH TEMPERATURE (+200°C (+392°F)) APPLICATIONS

Explosion group	Gap width	Inlet size
IIB1 (IIA)	0.8 mm (0.032")	DN 15 to 600 (1/2" to 24")
IIB	0.45 mm (0.018")	DN 15 to 600 (1/2" to 24")
IIB2, IIB3	0.6 mm (0.024")	DN 15 (1/2") only
IIC	0.3 mm (0.012")	DN 15 (1/2") only

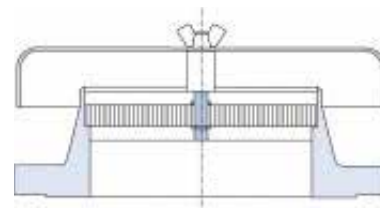
NOTES

All sizing and selection must be conducted by the factory.

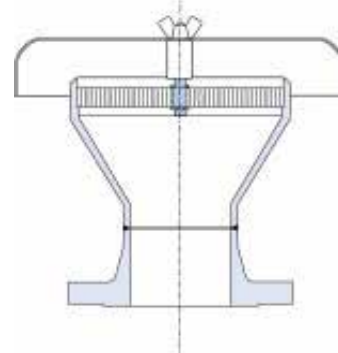
Standard Types LER/LERC elements are double the pipe size.

Types LEF/LEFC elements are 1:1.

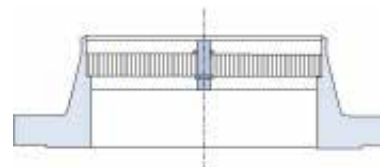
TYPE LEFC (LC VERSION)



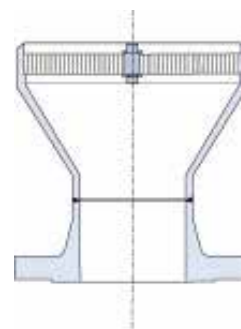
TYPE LERC (LC VERSION)



TYPE LEF (LE VERSION)



TYPE LER (LE VERSION)



ANDERSON GREENWOOD AMAL LER/LERC/LEF/LEFC FLAME ARRESTERS

SELECTION GUIDE

Example:	LER	50	LE	100	19	80	S3	S3
Model								
LER								
LERC								
Connection diameter								
Threaded								
DN 6 to 50 (1/8" to 2")								
Flanged								
DN 15 to 400 (1/2" to 16")								
Element code								
LE								
LC								
Element diameter								
DN 25 to 100 (1" to 4") - threaded connection								
DN 25 to 600 (1" to 24") - flanged connection								
Element width								
19 19 mm (0.75")								
Cell height								
80 0.80 mm (0.032")								
60 0.60 mm (0.024")								
45 0.45 mm (0.018")								
15 0.15 mm (0.006")								
Element material								
S3 Stainless steel								
C Carbon steel								
Body material								
S3 Stainless steel								
C Carbon steel								

SELECTION GUIDE

Example:	LEF	50	LE	100	19	80	S3	S3
Model								
LEF								
LEFC								
Connection diameter								
DN 40 to 400 (1 1/2" to 16")								
Element code								
LE								
LC								
Element diameter								
DN 40 to 400 (1 1/2" to 16")								
Element width								
19 19 mm (0.75")								
Cell height								
80 0.80 mm (0.032")								
60 0.60 mm (0.024")								
45 0.45 mm (0.018")								
15 0.15 mm (0.006")								
Element material								
S3 Stainless steel								
C Carbon steel								
Body material								
S3 Stainless steel								
C Carbon steel								