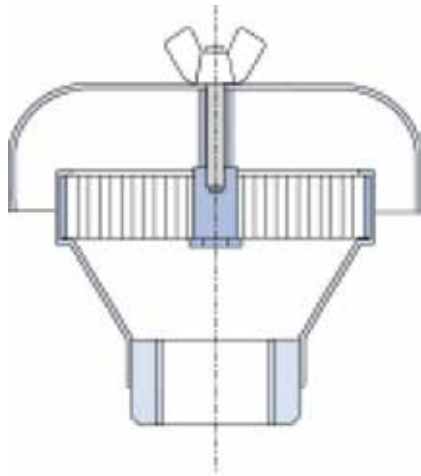




## ANDERSON GREENWOOD AMAL NP/NPC FLAME ARRESTERS

End-of-line deflagration flame arresters designed to prevent the propagation of a flame with sub-sonic speed.



### FEATURES

- Weather cowled or non-cowled model variants available.
- Fabricated design.
- Lightweight construction.
- Advanced crimped stainless steel element construction as standard. Other materials available.
- Independently tested and certified.
- Manufactured to ISO 9001:2015.

### GENERAL APPLICATION

The Types NP/NPC end-of-line flame arresters are mounted on tanks or on the end of discharge pipes to stop flames entering the process. With their light weight, low cost body they are ideal for small breather applications where a flame arrester is required.

### TECHNICAL DATA

Materials:	Carbon steel, stainless steel
Sizes:	DN 6 to 80 (1/8" to 3")
Connections:	Threaded or plain
Temperature range:	-20 to 60°C (-4 to 140°F)
Gas groups:	IIA, IIB1, IIB2, IIB3, IIB, IIC
Certification:	ATEX Directive 2014/34/EU

# ANDERSON GREENWOOD AMAL NP/NPC FLAME ARRESTERS

## MATERIALS AND CONNECTION OPTIONS

### Materials

Carbon steel and stainless steel.

### Connection pipe size

Threaded DN 6 to 50 (1/8" to 2")

Plain DN 32 (1 1/4")

DN 40 (1 1/2")

DN 80 (3")

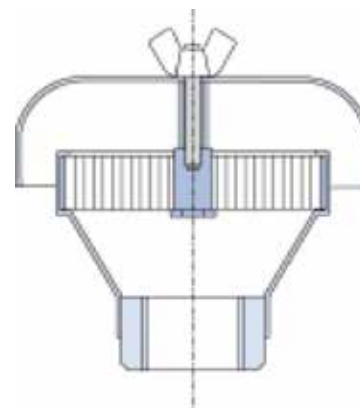
### NOTE

Accessories, special materials and connections are available on request.

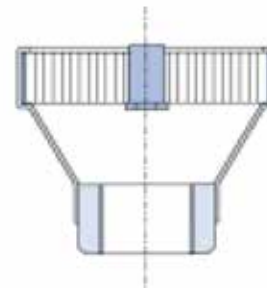
### Gas groups

- IIA
- IIB1
- IIB2
- IIB3
- IIB
- IIC

TYPE NPC SCREWED (NC VERSION)



TYPE NP SCREWED (NP VERSION)



## SELECTION GUIDE

Example:	NP	50	NP	100	19	80	S3	S3
<b>Model</b>								
<b>NP</b>								
<b>NPC</b>								
<b>Connection diameter</b>								
<b>Threaded</b>								
DN 6 to 50 (1/8" to 2")								
<b>Plain</b>								
DN 32 (1 1/4")								
DN 40 (1 1/2")								
DN 80 (3")								
<b>Element code</b>								
<b>NP</b>								
<b>NC</b>								
<b>Element diameter</b>								
DN 50 (2")								
DN 80 (3")								
DN 100 (4")								
<b>Element width</b>								
<b>19</b> 19 mm (0.75")								
<b>Cell height</b>								
<b>80</b> 0.80 mm (0.032")								
<b>60</b> 0.60 mm (0.024")								
<b>45</b> 0.45 mm (0.018")								
<b>15</b> 0.15 mm (0.006")								
<b>Element material</b>								
<b>S3</b> Stainless steel								
<b>C</b> Carbon steel								
<b>Body material</b>								
<b>S3</b> Stainless steel								
<b>C</b> Carbon steel								

## NOTES

All sizing and selection must be conducted by the factory.

Standard elements are double the pipe size.