

# AMERICAN METER 1800 PFM SERIES

## Industrial Regulator

### Brief information

#### General Information:

- Maximum 125 PSIG inlet pressure
- Operating temperature range of -20°F to 150°F (-30°C to 65°C)
- Maximum flow rates of up to 80,000 SCFH
- 1-1/2" or 2" NPT connection or 2" ANSI Class 125 lb. Flat Faced flanged connection

#### Enhancements:

- Extended outlet pressure range to cover 7" W.C. to 30 PSIG
- Improved ease of pilot maintenance
- 1804 pilot covers wide range of 2-30 PSIG outlet
- 1805 pilot optimizes performance between 7" W.C. and 2 PSIG outlet range
- 3 closing spring options provide for improved lock-up performance



### FEATURES & BENEFITS

#### Main Features

- Same great PFM rugged design and proven reliability
- Expanded orifice offerings with the addition of 1/2" and 3/4" sizes
- Maintains constant outlet pressure within  $\pm 1\%$  absolute set pressure over a wide range of flow rates
- Ideal for fixed factor measurement
- Available with optional OPSO (over pressure shut off), USSA (universal safety shut off assembly), and ISO™ (internal safety orifice).

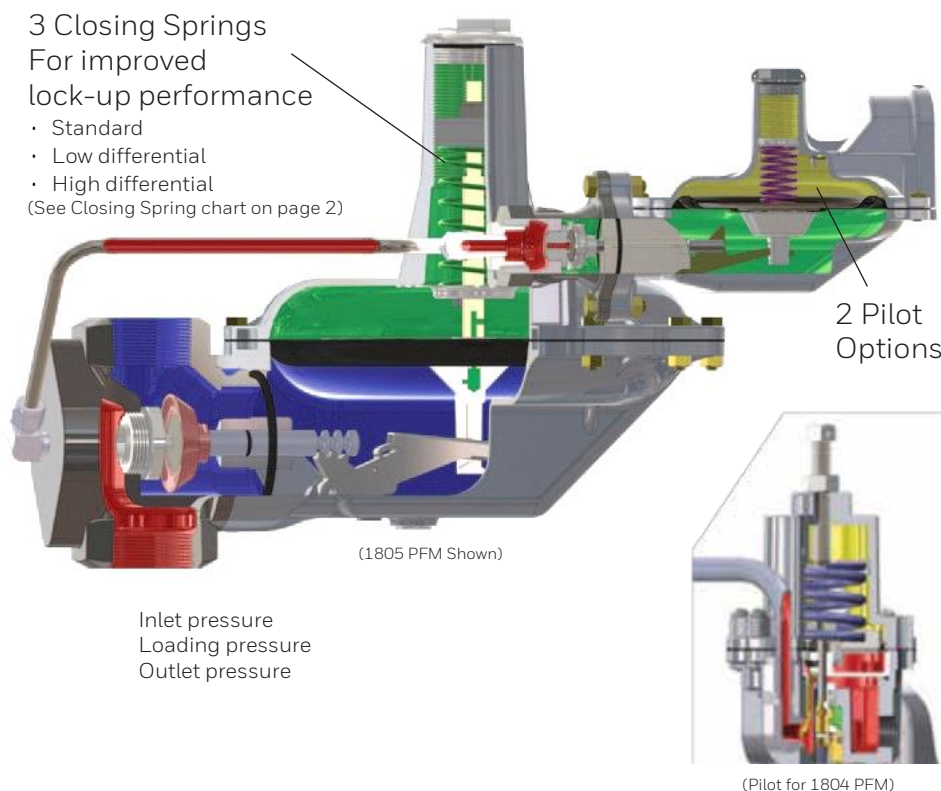
#### Pilot Options

1804 PFM Series  
(2-30 PSIG Outlet Range)

- 2 pilot spring range options
  - 2-30 PSIG
  - 2-10 PSIG

1805 PFM Series  
(7" WC to 2 PSIG Outlet Range)

- 2 pilot spring range options
  - 7"-30" W.C.
  - 1.0-2.4 PSIG



## Applications

### 1804 PFM Series (2-30 PSIG Outlet Pressure)

Model Number	Description
1804 PFM	Standard regulator
1804M PFM	Standard regulator with external sense
1884 PFM	Standard regulator with overpressure shut-off
1884M PFM	Standard regulator with external sense and overpressure shut-off
1884 PFM w/USSA	Standard regulator with overpressure and under pressure shut-off
1884M PFM w/USSA	Standard regulator with external sense, overpressure and under pressure shut-off

### 1805 PFM Series (7" W.C.-2 PSIG Outlet Pressure)

Model Number	Description
1805 PFM	Standard regulator
1805M PFM	Standard regulator with external sense
1885 PFM	Standard regulator with overpressure shut-off
1885M PFM	Standard regulator with external sense and overpressure shut-off
1885 PFM w/USSA	Standard regulator with overpressure and under pressure shut-off
1885M PFM w/USSA	Standard regulator with external sense, overpressure and under pressure shut-off

## Ordering Information

1. Model Number
2. Connection Size: 1-1/2" Threaded, 2" Threaded, 2" Flanged
3. Inlet Pressure Range: up to 125 PSIG
4. Outlet Set Pressure: 7" W.C. to 30 PSIG
5. Main Orifice Diameter: 1/4", 3/8", 1/2", 5/8", 3/4", 7/8", 1", 1-1/4"
6. Gas Specific Gravity
7. Regulator Assembly Position: See below
8. Pilot Filter Option: Yes/No
9. OPSO Spring Range
10. Under pressure spring range (USSA only)

### Maximum Differential Pressure Across Orifice (PSID) 1804 & 1805 PFM Series

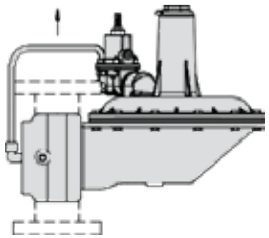
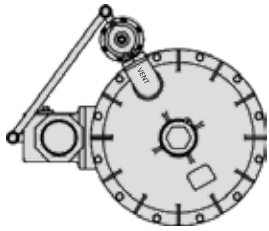
Closing Spring Part Number	Spring color	Description	1/4"	3/8"	1/2"	5/8"	3/4"	7/8"	1"	1-1/4"
71424P028	Black/Red	Low Differential	25	15	5	5	3	NR	NR	NR
71424P025	Black	Standard	125	125	125	125	80	55	40	35
71424P036	Solid Silver	High Differential	NR	NR	NR	NR	125	125	100	80

NR = Not recommended for optimum lock-up performance

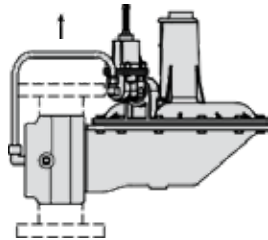
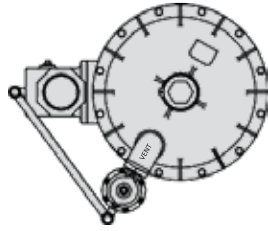
# 1804/1884 PFM Series Assembly Positions

## 1804 PFM Series

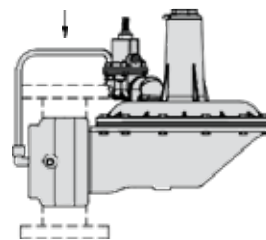
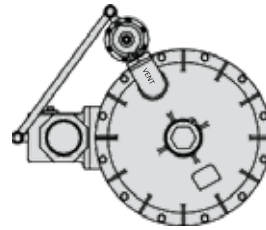
Assembly Position "A1.5"



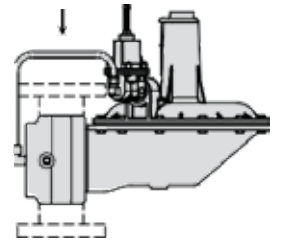
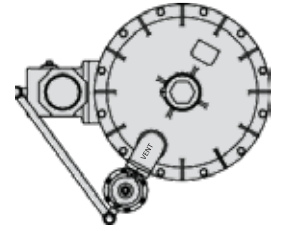
Assembly Position "A4.5"



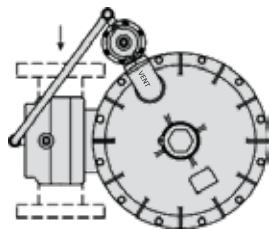
Assembly Position "B1.5"



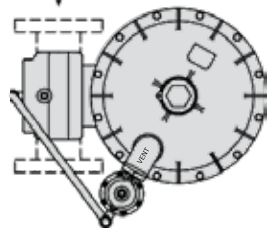
Assembly Position "B4.5"



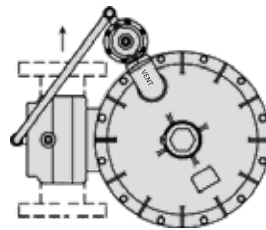
Assembly Position "C1.5"



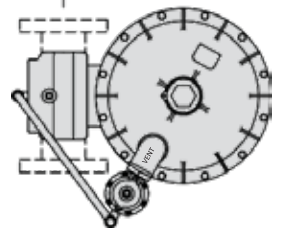
Assembly Position "C4.5"



Assembly Position "D1.5"

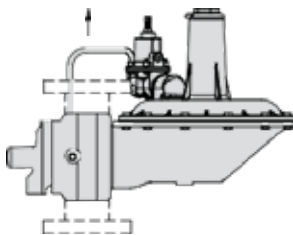
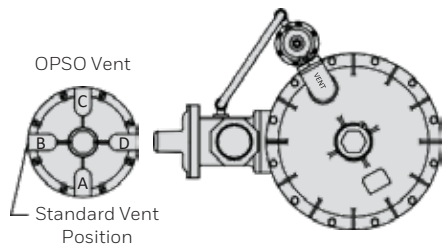


Assembly Position "D4.5"

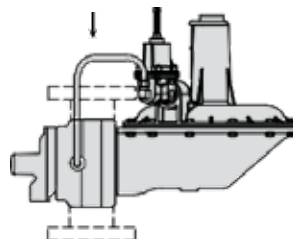
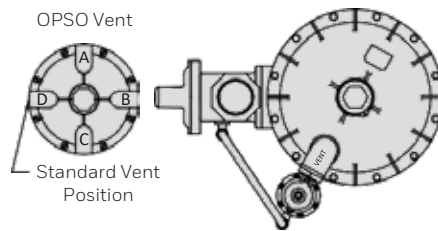


## 1884 PFM Series

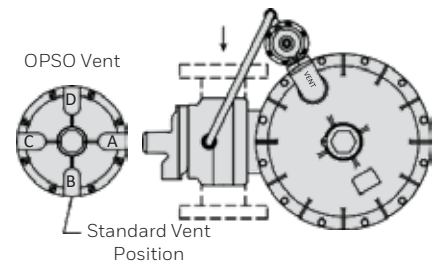
Assembly Position "A1.5"



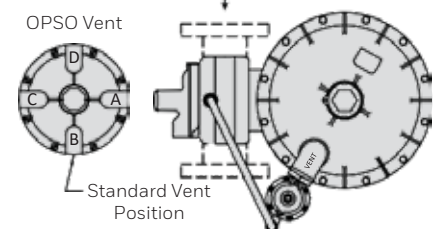
Assembly Position "B4.5"



Assembly Position "C1.5"



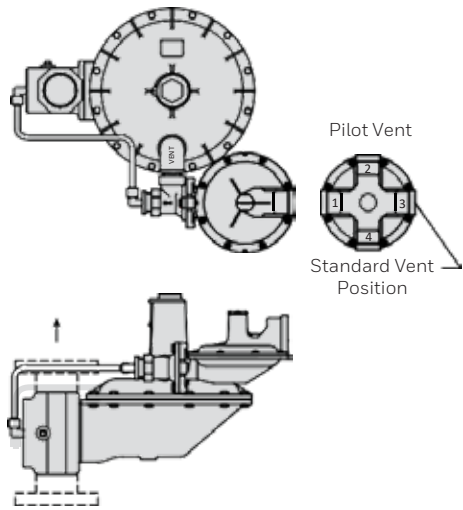
Assembly Position "C4.5"



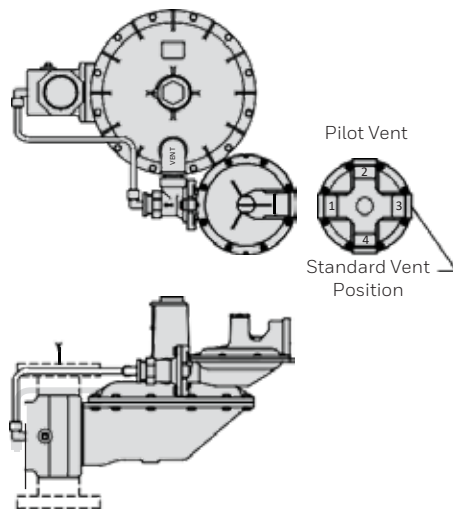
# 1805/1885 PFM Series Assembly Positions

## 1805 PFM Series

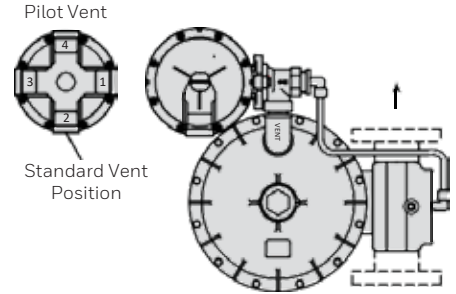
### Valve Head Position "A"



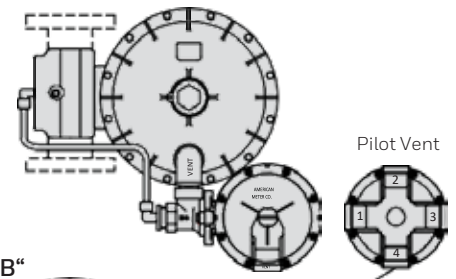
### Valve Head Position "B"



### Valve Head Position "C"

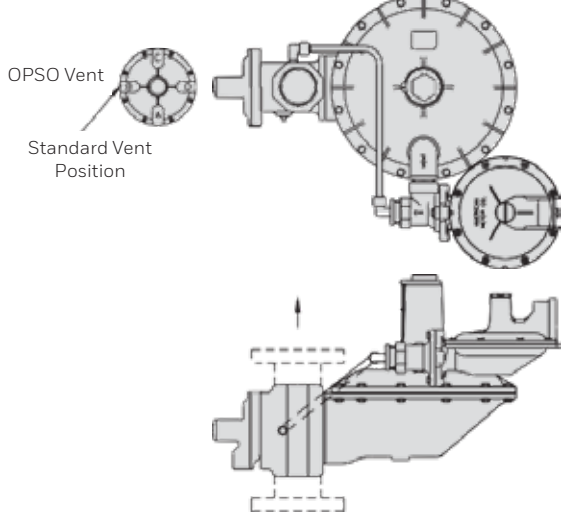


### Valve Head Position "D"

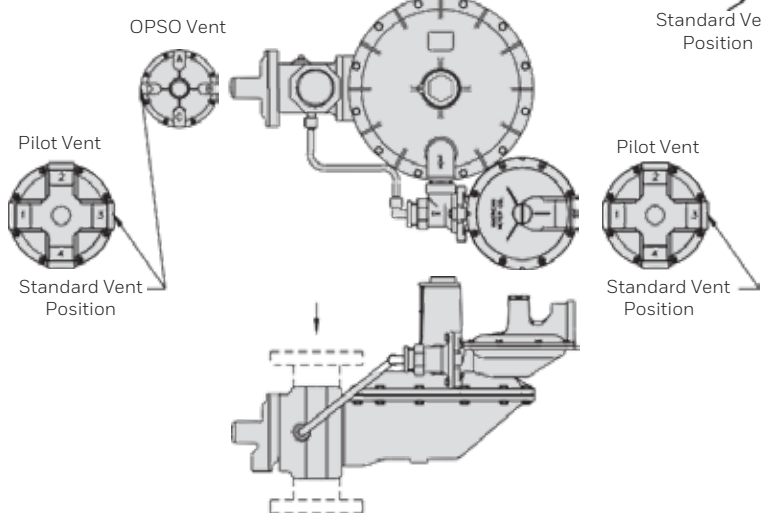


## 1885 PFM Series

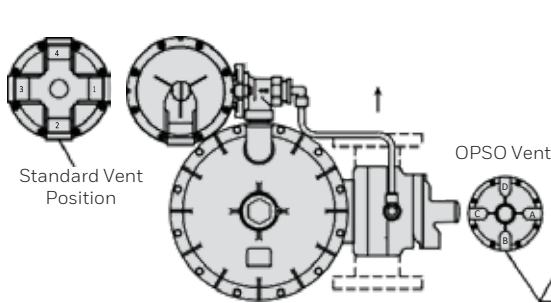
### Valve Head Position "A"



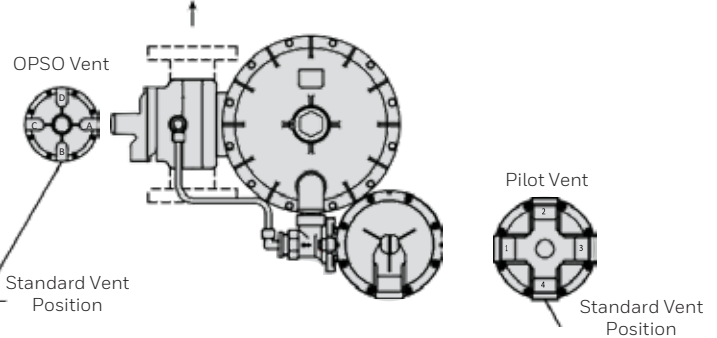
### Valve Head Position "B"



### Valve Head Position "C"



### Valve Head Position "D"



# 1805 PFM Series Capacity

## 2" x 2" Valve Head

### CAPACITY (SCFH) 2" VALVE BODY 7" W.C. set, 1" droop, 2" boost

INLET (PSIG)	ORIFICE							
	1/4"	3/8"	1/2"	5/8"	3/4"	7/8"	1"	1-1/4"
0.5	400	600	1,200	1,200	1,100	2,000	1,700	2,400
1	600	800	1,300	1,700	1,900	2,400	2,900	3,400
2	800	1,300	2,400	2,700	4,000	3,800	4,400	5,800
3	800	1,500	2,500	3,400	4,600	5,400	6,100	8,600
5	1,000	2,000	3,200	4,300	6,000	8,000	10,000	13,200
10	1,700	3,100	4,900	6,300	9,000	13,200	16,100	16,200
15	2,000	4,000	6,400	9,700	11,600	16,900	19,200	19,900
20	2,200	4,700	8,900	12,300	15,500	21,200	18,500	25,200
30	3,400	7,300	12,800	17,100	20,000	26,400	18,100	24,000
40	4,100	8,700	13,400	18,600	20,400	28,700	17,700	23,500
60	6,100	9,600	17,600	16,300	22,200	26,100	16,600	20,100
80	7,700	9,200	19,400	16,000	21,100	24,900	15,300	15,300
100	9,300	8,400	18,800	15,600	17,100	20,100	9,300	
125	8,700	6,800	17,100	15,200	10,400	12,200		

### CAPACITY (SCFH) 2" VALVE BODY 14" W.C. set, ±2"

INLET (PSIG)	ORIFICE							
	1/4"	3/8"	1/2"	5/8"	3/4"	7/8"	1"	1-1/4"
1	500	1,000	1,300	1,500	1,800	2,200	2,700	3,600
2	700	1,400	1,800	3,400	3,600	3,300	5,400	4,900
3	900	1,800	2,700	4,300	4,900	4,600	5,700	6,700
5	1,200	2,500	4,000	5,600	6,200	6,500	8,800	11,600
10	1,800	3,900	4,900	7,500	8,900	11,600	14,600	19,400
15	2,400	4,300	7,300	10,900	13,800	16,900	19,200	20,700
20	2,800	5,300	9,600	14,200	14,200	21,200	21,800	26,100
30	3,600	7,400	12,800	19,500	26,600	27,400	15,400	26,400
40	4,400	9,300	12,300	18,600	21,200	14,400	15,500	26,500
60	6,100	10,900	17,600	20,400	16,700	12,100	15,100	32,100
80	7,700	16,200	20,300	12,900	14,100	10,400	10,700	20,400
100	7,200	9,100	11,700	12,500	12,800	10,000	10,200	
125	8,700	5,100	8,600	11,400	12,500	9,800		

# 1805 PFM Series Capacity

## 2" x 2" Valve Head

### CAPACITY (SCFH) 2" VALVE BODY 1 PSIG set, ±1% abs.

INLET (PSIG)	ORIFICE							
	1/4"	3/8"	1/2"	5/8"	3/4"	7/8"	1"	1-1/4"
2	700	1,100	2,000	3,000	3,600	3,900	4,700	7,000
3	900	1,700	2,800	4,100	4,900	5,000	6,200	7,100
5	1,200	2,600	4,000	5,900	6,400	6,900	8,000	11,600
10	1,800	4,100	6,100	8,400	11,000	12,500	14,000	18,500
15	2,400	5,100	7,900	12,600	14,700	13,600	19,800	23,100
20	2,900	5,900	9,900	15,100	18,700	21,500	23,600	28,000
30	3,600	7,600	12,800	20,100	25,800	27,400	30,400	32,400
40	4,400	9,700	16,800	25,400	20,400	32,100	26,600	35,900
60	6,100	13,200	13,700	11,200	18,100	14,000	18,100	38,200
80	7,700	11,500	10,700	12,400	12,300	12,400	19,200	38,200
100	9,300	11,700	8,900	7,200	12,800	13,500	18,600	
125	6,500	5,100	6,000	6,100	13,000	20,800		

### CAPACITY (SCFH) 2" VALVE BODY 2 PSIG set, ±1% abs.

INLET (PSIG)	ORIFICE							
	1/4"	3/8"	1/2"	5/8"	3/4"	7/8"	1"	1-1/4"
5	1,100	2,300	3,400	3,200	4,400	4,300	6,000	10,100
10	1,700	3,800	5,800	8,200	10,700	11,600	13,300	16,800
15	2,400	5,200	7,400	11,600	14,300	12,900	18,500	25,300
20	2,900	5,700	9,200	15,500	18,100	18,200	23,200	31,700
30	3,600	7,600	13,300	20,100	26,600	29,300	31,700	40,800
40	4,400	9,300	15,700	26,100	32,600	33,500	39,800	41,100
60	6,000	13,200	14,500	30,500	41,700	21,200	52,900	46,200
80	7,600	16,900	18,400	25,800	35,200	20,700	57,500	30,500
100	9,300	14,700	22,300	18,800	25,600	25,100	55,700	
125	8,700	17,900	27,100	22,900	31,200	30,600		

# 1804 PFM Series Capacity

## 2" x 2" Valve Head

### CAPACITY (SCFH) 2" VALVE BODY

1 PSIG set, ±1% abs.

INLET (PSIG)	ORIFICE							
	1/4"	3/8"	1/2"	5/8"	3/4"	7/8"	1"	1-1/4"
10	1,500	1,700	1,800	3,200	3,500	3,100	5,800	12,800
15	2,200	2,100	3,000	4,000	4,400	6,500	9,000	12,000
20	2,200	3,400	3,600	6,600	5,200	6,100	10,500	20,500
30	3,400	5,500	5,500	10,400	6,700	11,700	21,700	28,800
40	4,300	6,000	8,900	11,900	14,200	23,900	24,400	35,300
60	5,600	10,900	18,300	18,300	27,800	32,700	24,200	48,200
80	6,500	15,000	27,100	18,100	24,700	41,400	23,000	61,100
100	7,200	18,200	4,700	15,600	21,300	40,100	22,300	
125	8,700	4,300	5,700	19,000	26,000	48,900		

### CAPACITY (SCFH) 2" VALVE BODY

2 PSIG set, ±1% abs.

INLET (PSIG)	ORIFICE							
	1/4"	3/8"	1/2"	5/8"	3/4"	7/8"	1"	1-1/4"
10	900	1,900	2,400	2,500	2,600	3,000	5,600	7,500
15	1,100	2,700	3,000	5,200	6,600	6,400	7,200	12,700
20	1,700	2,800	3,500	6,600	9,000	7,600	11,900	16,800
30	2,500	4,100	7,300	9,700	10,000	13,700	18,100	26,400
40	3,600	6,700	8,900	15,700	22,400	21,500	26,600	32,300
60	5,400	8,200	15,300	22,400	27,800	29,400	30,200	20,100
80	7,100	12,700	23,200	20,700	26,400	20,700	19,200	25,400
100	8,600	7,000	28,100	18,800	21,300	25,100	23,200	
125	10,500	8,500	17,100	19,000	26,000	30,600		

### CAPACITY (SCFH) 2" VALVE BODY

5 PSIG set, ±1% abs.

INLET (PSIG)	ORIFICE							
	1/4"	3/8"	1/2"	5/8"	3/4"	7/8"	1"	1-1/4"
10	1,300	2,400	3,900	4,200	7,400	4,400	9,600	12,300
15	1,800	3,400	5,100	6,500	11,000	9,800	16,500	22,600
20	2,100	4,000	6,300	9,800	13,400	12,000	21,600	29,600
30	2,800	6,500	8,200	17,100	18,300	21,500	30,800	43,200
40	3,400	6,700	13,400	22,400	22,400	26,300	39,800	45,600
60	5,100	11,400	17,600	32,600	34,800	32,700	54,400	40,100
80	5,900	15,600	23,200	36,100	37,000	37,300	46,000	40,700
100	7,200	18,900	28,100	28,100	25,600	18,100	46,400	
125	10,500	18,700	28,600	29,700	31,200	9,200		

### CAPACITY (SCFH) 2" VALVE BODY

10 PSIG set, ±1% abs..

INLET (PSIG)	ORIFICE							
	1/4"	3/8"	1/2"	5/8"	3/4"	7/8"	1"	1-1/4"
15	1,400	2,700	4,100	6,100	8,300	5,300	10,800	7,900
20	2,200	3,800	6,400	8,600	12,900	11,000	15,300	14,400
30	2,800	5,400	9,100	14,400	18,200	21,400	28,800	33,400
40	3,400	6,700	12,300	17,900	20,400	28,700	39,800	47,000
60	4,700	10,000	16,800	32,600	34,800	49,000	57,400	53,800
80	5,900	12,700	21,300	41,300	49,300	55,900	49,800	61,600
100	7,200	15,400	25,800	42,200	34,100	50,200	39,000	
125	8,700	18,700	34,300	30,900	41,600	61,100		

# 1804 PFM Series Capacity

## 2" x 2" Valve Head

### CAPACITY (SCFH) 2" VALVE BODY

15 PSIG set, ±1% abs.

INLET (PSIG)	ORIFICE							
	1/4"	3/8"	1/2"	5/8"	3/4"	7/8"	1"	1-1/4"
20	1,500	3,000	5,000	5,300	9,100	6,900	12,800	8,500
30	2,600	5,100	8,600	13,800	16,500	16,600	24,800	31,800
40	3,400	7,000	11,100	19,300	22,300	28,600	36,400	43,900
60	5,100	11,800	15,300	28,500	38,900	47,400	57,400	70,200
80	6,500	16,200	19,400	38,700	56,400	53,800	57,500	89,100
100	7,900	19,300	23,500	46,900	64,000	28,600	60,300	
125	9,600	23,900	34,300	38,100	36,400	27,500		

### CAPACITY (SCFH) 2" VALVE BODY

20 PSIG set, ±1% abs.

INLET (PSIG)	ORIFICE							
	1/4"	3/8"	1/2"	5/8"	3/4"	7/8"	1"	1-1/4"
30	2,700	4,100	7,600	7,600	14,600	13,900	21,900	24,000
40	3,300	7,700	12,900	18,700	20,600	27,700	34,100	35,400
60	5,100	11,800	19,900	30,500	38,900	49,000	52,900	64,200
80	6,500	15,600	25,200	41,300	52,900	62,100	53,700	84,000
100	7,900	19,600	30,500	46,900	59,800	70,200	32,000	
125	9,600	20,400	37,100	60,900	62,400	48,900		

### CAPACITY (SCFH) 2" VALVE BODY

25 PSIG set, ±1% abs.

INLET (PSIG)	ORIFICE							
	1/4"	3/8"	1/2"	5/8"	3/4"	7/8"	1"	1-1/4"
30	1,800	3,600	5,800	6,900	10,500	9,200	16,000	15,100
40	3,000	6,500	10,000	13,300	18,200	21,300	29,600	39,300
60	4,400	10,000	16,800	28,500	33,300	45,600	51,300	56,100
80	5,900	12,700	23,200	36,100	45,800	62,100	69,000	88,500
100	7,200	16,800	30,500	46,900	59,800	75,300	88,200	
125	9,200	20,400	37,100	57,100	52,000	73,300		

### CAPACITY (SCFH) 2" VALVE BODY

30 PSIG set, ±1% abs.

INLET (PSIG)	ORIFICE							
	1/4"	3/8"	1/2"	5/8"	3/4"	7/8"	1"	1-1/4"
40	2,400	5,200	8,600	9,200	17,300	14,800	24,000	32,900
60	4,600	10,700	18,000	26,000	38,200	44,800	47,400	39,400
80	7,100	15,000	25,200	38,700	49,300	62,100	61,300	50,900
100	8,600	18,200	32,800	50,000	68,300	70,200	78,900	
125	10,500	22,100	40,000	60,900	83,200	85,500		



## 1805 PFM Series Capacity

1-1/2" x 1-1/2" Valve Head

### CAPACITY (SCFH) 1-1/2" VALVE BODY 7" W.C. set, 1" droop

INLET (PSIG)	ORIFICE							
	1/4"	3/8"	1/2"	5/8"	3/4"	7/8"	1"	1-1/4"
0.5	400	600	1,400	1,200	1,200	1,900	1,600	2,400
1	600	700	1,400	1,400	1,900	1,900	2,500	2,800
2	800	1,300	2,700	2,300	3,900	2,600	3,300	3,900
3	800	1,300	2,500	2,700	4,100	3,600	4,000	4,600
5	1,000	1,800	3,300	3,700	4,800	4,300	5,100	5,800
10	1,700	3,100	4,500	5,100	6,500	6,400	7,600	7,100
15	2,000	3,900	5,500	6,800	7,600	8,200	10,000	8,700
20	2,200	4,600	7,300	8,100	8,600	10,300	10,600	11,000
30	3,400	7,200	10,100	10,900	10,700	15,600	12,300	10,500
40	4,100	8,600	10,000	11,100	12,500	20,000	12,000	10,300
60	6,100	9,400	12,100	9,800	13,800	18,300	11,300	8,800
80	7,700	8,900	13,600	9,600	13,100	17,400	10,400	6,700
100	9,300	8,000	13,200	9,400	10,600	14,100	6,300	
125	8,700	6,400	12,000	9,100	6,400	8,500		

### CAPACITY (SCFH) 1-1/2" VALVE BODY 14" W.C. set, 1" droop

INLET (PSIG)	ORIFICE							
	1/4"	3/8"	1/2"	5/8"	3/4"	7/8"	1"	1-1/4"
1	500	900	1,400	1,300	1,800	2,000	2,600	3,400
2	700	1,300	2,300	3,100	3,800	3,100	4,500	4,100
3	900	1,700	3,000	4,000	4,700	4,100	4,300	5,300
5	1,200	2,500	4,200	5,100	5,800	4,600	6,300	6,200
10	1,700	3,900	5,000	6,300	7,300	6,400	8,100	8,400
15	2,400	4,300	6,900	8,600	10,500	8,300	9,500	8,900
20	2,800	5,300	8,300	11,200	10,200	10,200	17,400	11,300
30	3,600	7,400	10,400	12,200	17,000	16,700	13,900	11,400
40	4,400	9,400	9,400	11,600	13,600	10,700	16,300	11,400
60	6,100	11,400	12,500	14,100	13,400	14,500	16,600	13,900
80	7,700	16,200	13,400	11,000	13,500	10,400	10,700	8,800
100	7,200	8,700	7,100	10,600	14,300	10,000	10,200	
125	8,700	4,600	4,700	9,700	16,500	9,800		

## 1805 PFM Series Capacity

1-1/2" x 1-1/2" Valve Head

### CAPACITY (SCFH) 1-1/2" VALVE BODY 1 PSIG set, ±1% abs.

INLET (PSIG)	ORIFICE							
	1/4"	3/8"	1/2"	5/8"	3/4"	7/8"	1"	1-1/4"
2	800	1,200	2,100	3,400	4,000	4,300	4,700	5,100
3	1,100	1,600	2,900	4,700	5,500	5,500	6,200	5,200
5	1,400	2,400	4,200	6,700	7,200	7,600	8,000	8,500
10	2,200	3,800	6,300	9,600	12,300	13,800	17,300	13,500
15	2,700	4,700	8,700	16,200	17,800	15,500	22,400	18,600
20	3,700	5,900	11,700	20,500	21,800	21,000	27,600	18,500
30	4,400	8,000	14,300	23,800	26,000	22,900	30,400	22,000
40	4,800	11,200	18,100	25,400	16,800	20,900	22,100	24,400
60	6,200	14,700	15,100	15,700	27,200	16,800	15,000	25,900
80	7,200	12,300	12,000	18,600	18,500	14,900	15,900	25,900
100	7,900	12,100	10,200	11,500	19,200	16,200	15,400	
125	5,500	5,000	7,100	10,500	19,500	25,000		

### CAPACITY (SCFH) 1-1/2" VALVE BODY 2 PSIG set, ±1% abs.

INLET (PSIG)	ORIFICE							
	1/4"	3/8"	1/2"	5/8"	3/4"	7/8"	1"	1-1/4"
5	1,300	2,100	3,100	4,600	4,800	5,500	4,800	7,900
10	2,000	3,500	5,800	8,200	11,600	14,800	6,700	13,200
15	2,700	5,900	8,400	13,100	14,600	11,800	11,100	10,600
20	2,900	6,300	10,100	17,100	18,900	18,000	11,300	12,800
30	3,300	8,400	14,300	21,100	27,400	29,500	18,100	19,300
40	4,500	11,100	16,200	22,800	27,900	28,100	23,800	23,300
60	5,900	14,500	14,000	25,200	45,700	29,000	20,700	34,700
80	7,700	18,500	19,900	27,600	38,400	23,100	22,500	28,600
100	9,000	14,500	27,400	27,600	27,800	21,600	21,800	
125	8,000	16,300	38,200	32,100	33,700	16,700		

# 1804 PFM Series Capacity

## 1-1/2" x 1-1/2" Valve Head

### CAPACITY (SCFH) 1-1/2" VALVE BODY

1 PSIG set, ±1% abs.

INLET (PSIG)	ORIFICE							
	1/4"	3/8"	1/2"	5/8"	3/4"	7/8"	1"	1-1/4"
10	1,800	1,600	1,900	3,700	3,900	3,400	7,200	9,400
15	2,500	1,900	3,300	5,200	5,300	7,400	10,200	9,700
20	2,800	3,400	4,200	8,900	6,100	6,000	12,300	13,500
30	4,100	5,800	6,200	12,300	6,800	9,800	21,700	19,600
40	4,700	6,900	9,600	11,900	11,700	15,500	20,300	24,000
60	5,700	12,100	20,100	25,600	41,700	39,200	20,100	32,700
80	6,000	16,100	30,500	27,200	37,100	49,700	19,100	41,500
100	6,100	18,800	5,400	25,000	32,000	48,100	18,500	
125	7,400	4,200	6,700	32,800	39,000	58,700		

### CAPACITY (SCFH) 1-1/2" VALVE BODY

2 PSIG set, ±1% abs.

INLET (PSIG)	ORIFICE							
	1/4"	3/8"	1/2"	5/8"	3/4"	7/8"	1"	1-1/4"
10	1,100	1,700	2,400	2,500	2,800	3,800	2,800	5,900
15	1,300	3,100	3,400	5,900	6,800	5,900	4,300	5,300
20	1,700	3,100	3,900	7,300	9,400	7,500	5,800	6,800
30	2,300	4,500	7,900	10,200	10,300	13,800	10,300	12,500
40	3,700	8,000	9,200	13,700	19,200	18,100	15,900	18,300
60	5,300	9,000	14,700	18,500	30,500	40,200	11,800	15,100
80	7,200	13,900	25,100	22,100	28,800	23,100	7,500	23,800
100	8,300	6,900	34,500	27,600	23,200	21,600	9,100	
125	9,600	7,700	24,100	26,600	28,100	16,700		

### CAPACITY (SCFH) 1-1/2" VALVE BODY

5 PSIG set, ±1% abs.

INLET (PSIG)	ORIFICE							
	1/4"	3/8"	1/2"	5/8"	3/4"	7/8"	1"	1-1/4"
10	1,700	4,200	5,900	5,300	8,200	4,200	4,800	8,200
15	2,200	4,600	6,300	7,200	10,800	8,400	7,200	10,400
20	2,100	4,900	7,300	10,600	12,900	10,100	11,600	12,800
30	2,600	7,700	9,500	19,400	18,200	18,300	18,100	20,300
40	3,500	7,700	13,800	20,300	19,900	22,700	23,000	26,700
60	5,000	12,500	17,400	28,700	32,700	32,700	30,300	32,700
80	6,000	17,100	22,900	31,600	34,800	37,500	24,700	42,600
100	7,000	19,300	29,500	30,300	24,100	18,300	24,000	
125	9,600	17,200	32,300	39,500	29,400	9,400		

### CAPACITY (SCFH) 1-1/2" VALVE BODY

10 PSIG set, ±1% abs..

INLET (PSIG)	ORIFICE							
	1/4"	3/8"	1/2"	5/8"	3/4"	7/8"	1"	1-1/4"
15	4,000	2,400	3,100	3,900	6,700	5,200	7,500	7,900
20	4,700	3,800	5,100	5,200	7,300	5,800	10,600	19,200
30	2,900	5,200	8,300	12,300	13,300	13,100	13,700	24,000
40	3,500	7,300	12,400	16,700	16,300	19,000	22,300	30,700
60	4,800	11,000	17,400	31,500	29,200	34,800	39,900	27,900
80	6,100	12,900	20,900	39,200	40,600	39,000	41,300	31,900
100	7,200	15,700	24,100	35,800	27,500	34,400	37,600	
125	7,900	17,300	30,000	22,300	32,800	40,900		

# 1804 PFM Series Capacity

## 1-1/2" x 1-1/2" Valve Head

### CAPACITY (SCFH) 1-1/2" VALVE BODY

15 PSIG set, ±1% abs.

INLET (PSIG)	ORIFICE							
	1/4"	3/8"	1/2"	5/8"	3/4"	7/8"	1"	1-1/4"
20	2,400	2,700	4,600	4,800	6,400	3,400	13,600	14,000
30	2,700	4,400	7,400	11,800	13,200	12,500	16,500	25,200
40	3,400	6,500	10,500	18,300	18,500	20,200	22,500	31,400
60	5,500	12,700	15,700	27,900	34,500	37,600	39,900	39,200
80	6,800	16,200	19,000	37,300	48,700	41,100	44,300	49,800
100	7,800	19,600	21,800	39,200	53,500	21,100	51,100	
125	8,700	22,100	29,400	25,800	29,100	19,300		

### CAPACITY (SCFH) 1-1/2" VALVE BODY

20 PSIG set, ±1% abs.

INLET (PSIG)	ORIFICE							
	1/4"	3/8"	1/2"	5/8"	3/4"	7/8"	1"	1-1/4"
30	2,800	5,900	8,400	5,700	10,800	10,100	13,100	27,900
40	3,200	8,900	16,300	25,700	21,400	19,500	22,600	33,000
60	5,300	14,200	22,000	30,800	34,700	37,900	42,300	59,900
80	6,900	16,600	25,600	40,000	45,800	47,400	50,400	40,300
100	7,800	19,900	28,000	38,400	49,000	52,800	30,000	
125	8,700	18,700	29,300	38,400	47,400	36,200		

### CAPACITY (SCFH) 1-1/2" VALVE BODY

25 PSIG set, ±1% abs.

INLET (PSIG)	ORIFICE							
	1/4"	3/8"	1/2"	5/8"	3/4"	7/8"	1"	1-1/4"
30	3,100	3,600	5,800	7,000	10,700	9,400	16,100	14,900
40	2,800	7,300	10,800	13,900	16,600	16,500	24,400	31,200
60	4,600	13,500	19,900	29,100	30,800	37,700	41,700	44,600
80	6,200	14,000	23,800	34,200	39,300	47,900	55,200	36,300
100	7,100	16,500	27,000	36,900	47,100	53,900	69,500	
125	8,300	18,300	26,300	33,600	36,300	47,500		

### CAPACITY (SCFH) 1-1/2" VALVE BODY

30 PSIG set, ±1% abs.

INLET (PSIG)	ORIFICE							
	1/4"	3/8"	1/2"	5/8"	3/4"	7/8"	1"	1-1/4"
40	4,100	5,500	10,500	12,700	19,500	12,800	11,800	24,700
60	4,800	14,100	21,000	26,500	35,600	37,900	42,300	29,600
80	7,200	16,600	25,100	34,300	40,500	47,100	54,700	38,200
100	8,500	17,700	29,500	41,200	56,300	47,000	70,400	
125	9,500	19,800	31,200	45,400	68,700	47,800		