



Elster Jeavons J42

Meter Service Regulator

Brief information

Operation: The J42 meter service regulator is a well proven and trusted design which meets the current standards. It uses established principles of control dynamics together with modern assembly techniques to produce a regulator which offers excellent performance in a compact, low cost, maintenance free unit.

Application: The J42 is an angled type regulator designed for low pressure domestic meter applications with inlet pressures up to 350mbar, with full lock-up capability and is available with or without integral under pressure cut off (UPCO). The UPCO version has an automatic reset which re-establishes supply dependent upon the system integrity. The J42 can be mounted in either a vertical or horizontal orientation, and is suitable for use with natural, liquefied petroleum and manufactured gases.

Control: The outlet pressure of the regulator is set at the factory to the customer's specification, and the unit sealed. The outlet pressure can be easily adjusted if necessary by breaking the seal and turning the spring adjusting screw under the top cap. Thus making unauthorised adjustment tamper evident. The top cap may be resealed again after use with a seal (not provided).

Approvals: The J42 meter service regulator is approved to the British Specification T/SP/PRS/3, EN88-1 Class A2 and the Dutch Gastec Approval Requirements No.11.

The J42 is patented no. 2317672.

Technical Data:

Maximum inlet pressure:	350mbar (5 psig)
Pi max PRS3 Application:	75mbar
Pi max Gastec Application:	200mbar
Outlet Pressure:	Customer specified between 10 – 40 mbar
UPCO Trip Pressure:	Customer specified between 4 – 25 mbar

Servicing: The J42 is a sealed unit and requires no servicing.



FEATURES & BENEFITS

Main Features

- Sizes 1/2" x 1/2", 3/4" x 3/4" & 3/4" x Meter Union
- Temperature range -20°C to +60°C
- Threaded connections to BS EN 10226 (ISO 7) or NPT (other threads may be available upon request)
- Fully inlet pressure balanced
- Full lock-up capability
- Internal impulse
- Spring loaded
- Excellent outlet pressure control

Options

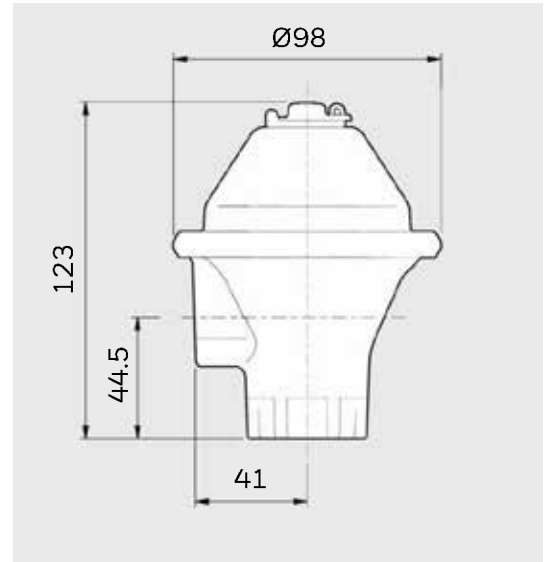
- Under pressure cut off
- Meter union outlet connection
- Inlet mesh filter

J42: Meter Service Regulator

Material Specifications

A summary of the material specification for the J42 is given for reference. All material has been selected to provide maximum durability and reliability in service.

Components	Specification
Body and Top Cover	Aluminium
Diaphragms, Valve Disc & "O" Rings	Nitrile Rubber (Buna)
Adjusting Screw	Mild Steel
Internal Support Structure	Acetal Resin
Top Cap	Acetal Resin (UV Stabilised)
Top Bush,	Zinc Alloy
Spring	Stainless Steel



Weight: Standard Regulator: 320g
 Regulator with UPCO: 340g

Quality: Honeywell is committed to a programme of continuous quality enhancement. All equipment designed and manufactured by Honeywell benefits from the group's quality assurance standards which are approved to EN ISO9001.

Performance: Tested in accordance with PRS3

