



Adapter base

Adapter base for Satronic TF oilburner control boxes to the Danfoss wiring base

INTRODUCTION

The adapter base US 93. replaces together with a Satronic oilburner control box TF 83. a Danfoss oilburner control box of the BHO 1.. line.

ATTENTION

For safety reasons, the Danfoss photocell type LD **MUST** be replaced with a Satronic photocell type MZ 770 S.



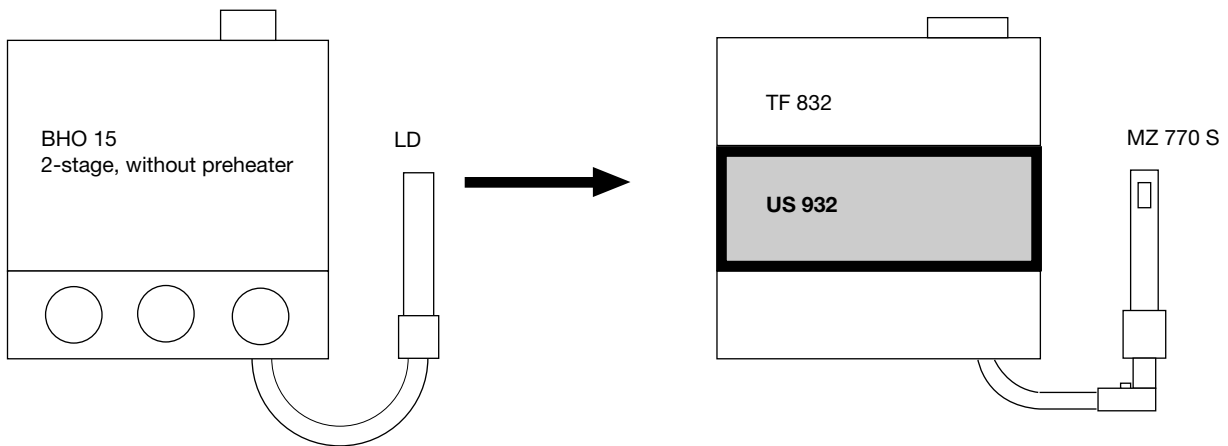
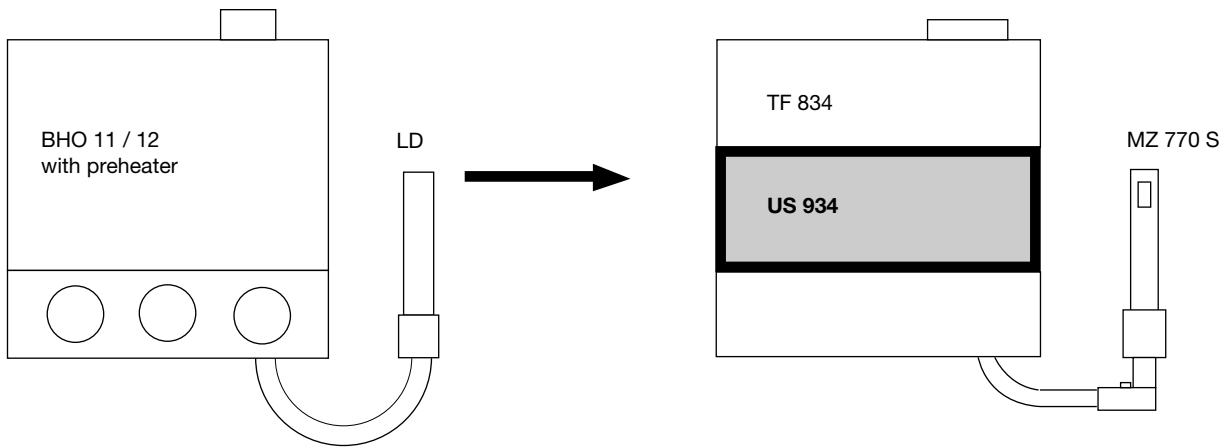
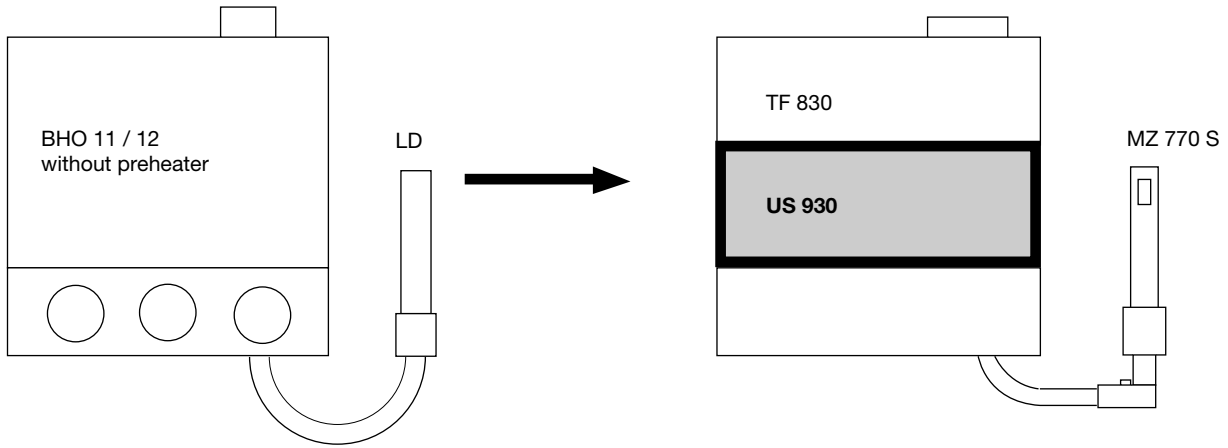
INSTALLATION

Beside changing the photocell, no other changes or modifications are necessary for the types US 932 and US 934.

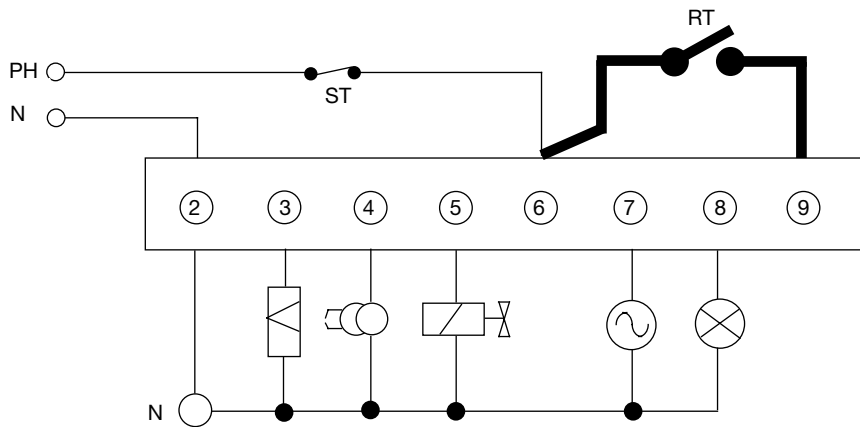
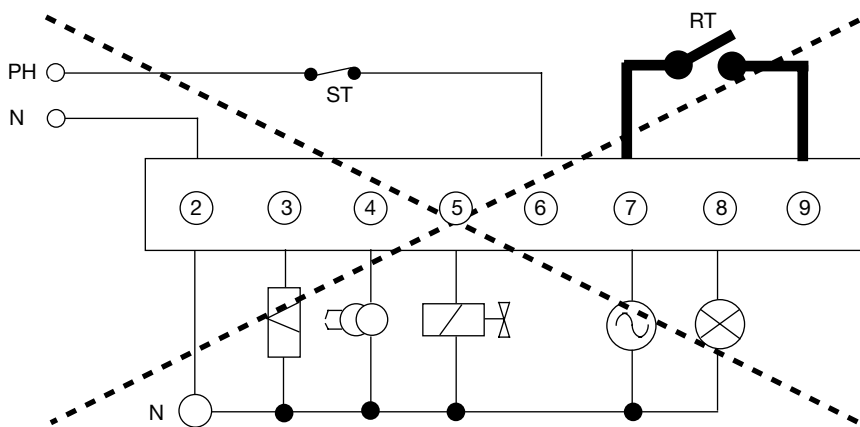
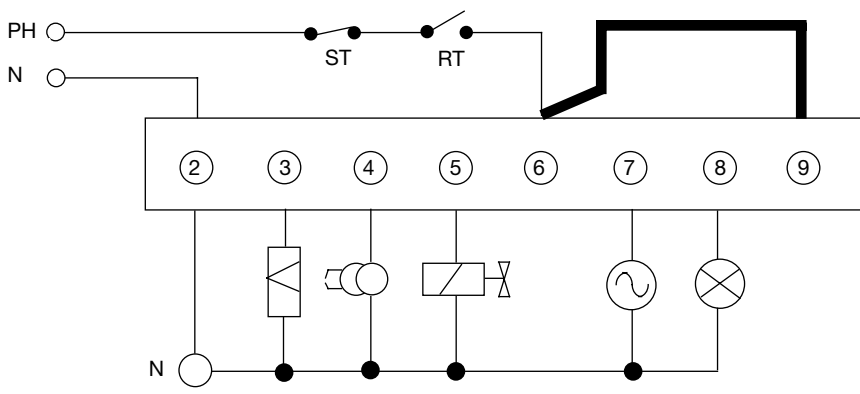
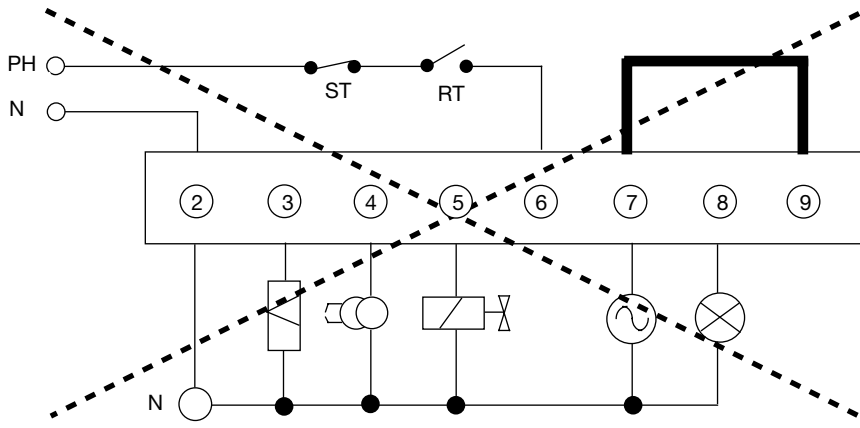
On the type US 930, it is necessary to check if the control thermostat is wired according to the following wiring diagram. Please note the corresponding note on the adapter base.

The total height of the combination of an US 93. and control box TF 83. is exactly the same as the height of a Danfoss control box type BHO 1.. The central locking screw fixes the adapter base and the control box safely on the original base.

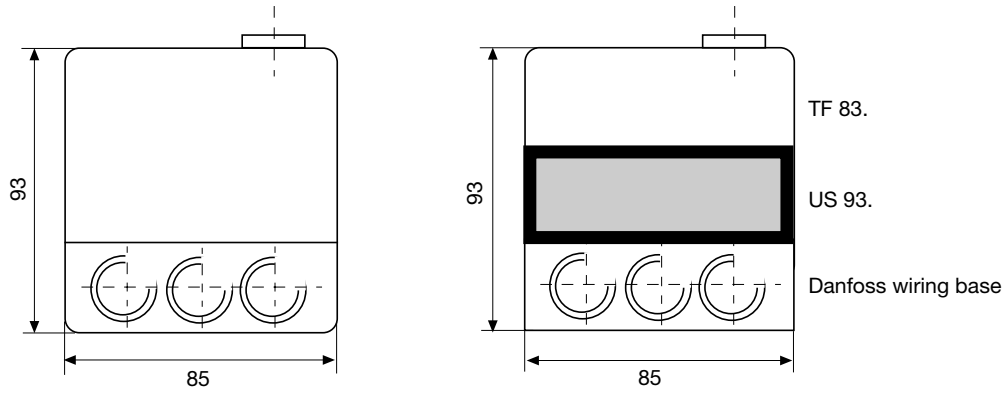
EXCHANGE...



WIRING INSTRUCTION FOR US 930 / 934



DIMENSIONS



ORDERING INFORMATION

ITEM	DESIGNATION	ITEM NO.
Adapter base	Adapter base US 930	70803
or	Adapter base US 932	70801
or	Adapter base US 934	70802
Control box	Typ TF 830	02201
or	Typ TF 832	02401
or	Typ TF 834	02204
Photocell	MZ 770 S	50001
Mounting flange	Mounting flange MZ	59101
Sensor cable	Sensor cable, 2-wire, 0.5 m	7225001

The above ordering information refers to the standard version.
Special versions are also included in our product range.

Specifications subject to change without notice.

US 93.